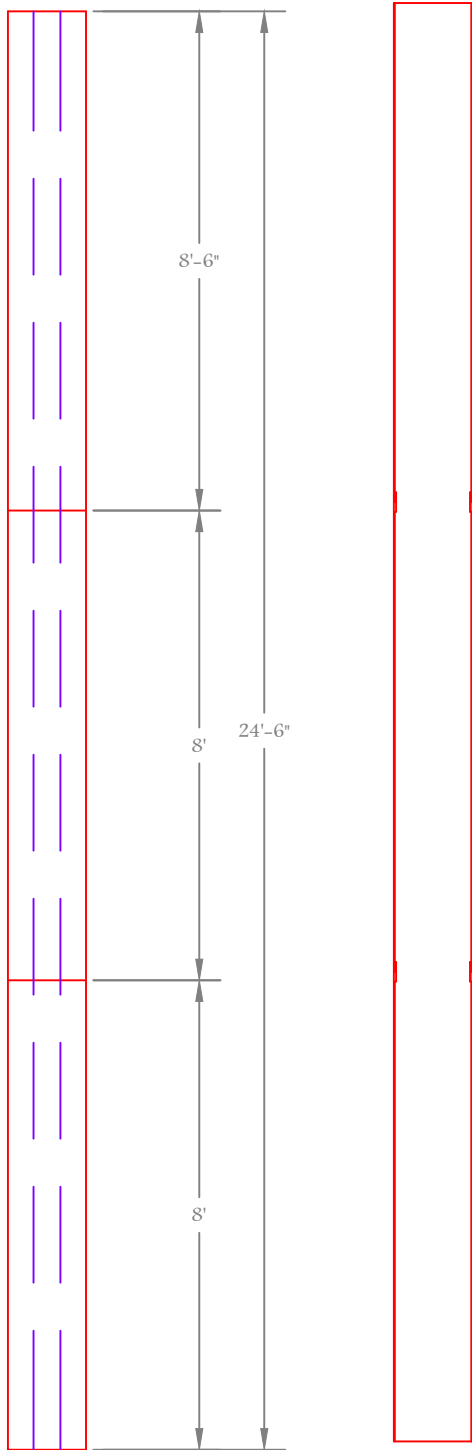


CL 01

CRS-16-24.5

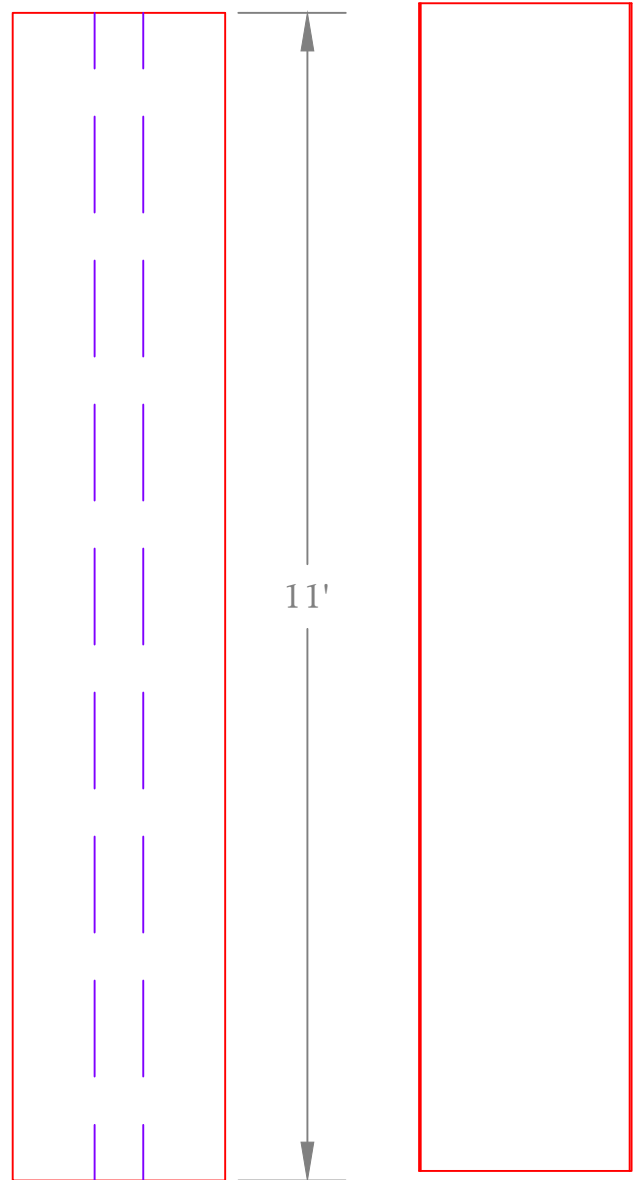
Diameter: 16"
Height: 24'-6"
Round



CL 02

CRS-24-11

Diameter: 24"
Height: 11'-0"
Round



We have detailed CAD drawings available, Please inquire.

Fiblast, LLC

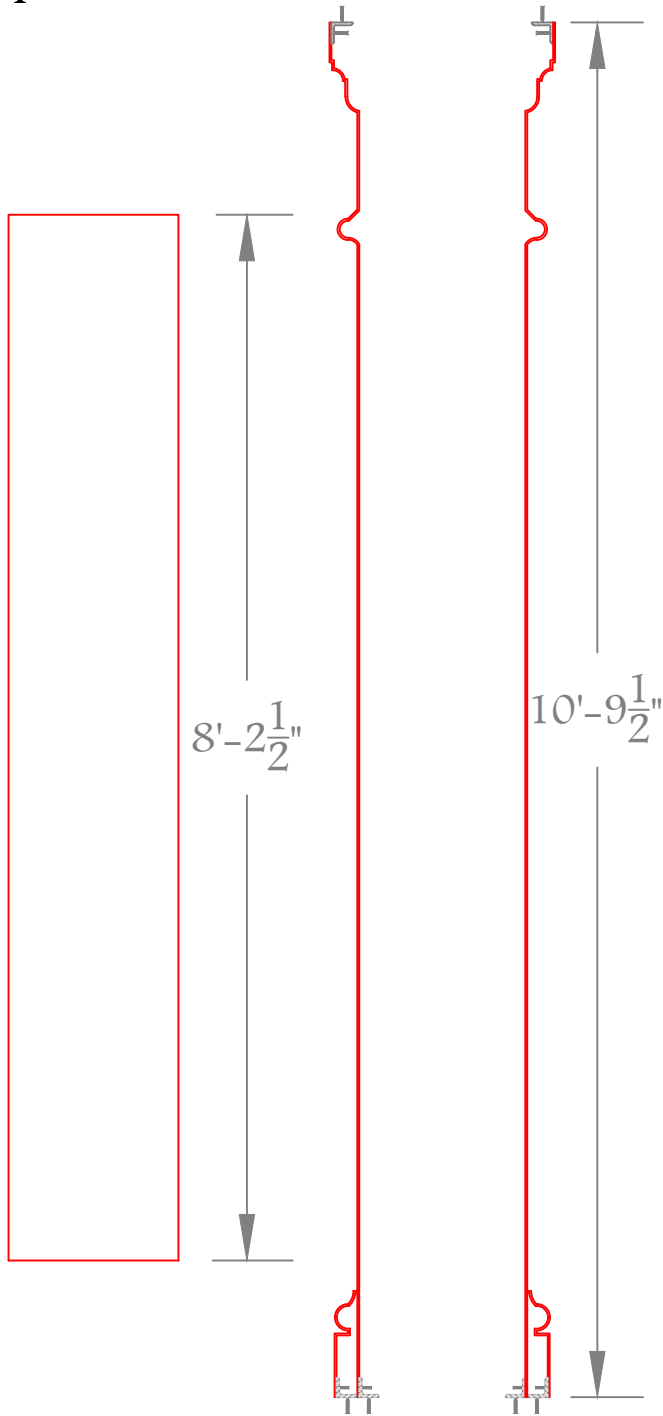
1602 Mizell Road, Tuskegee, AL 36083

Phone: (334) 513-1314 E-mail: PM1@fiblast.com

CL 03

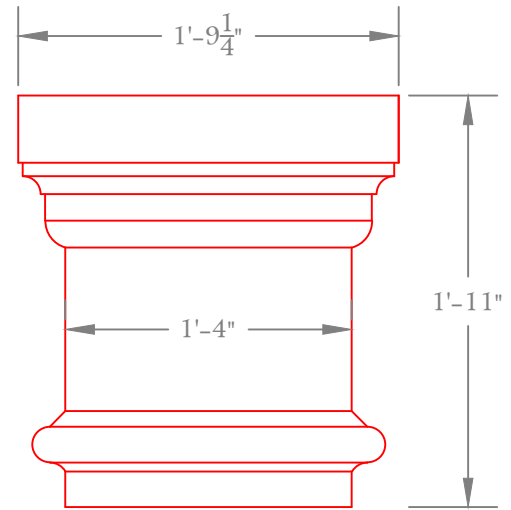
CRQ-16-11

Diameter: 16"
Height: 8'-2½"
Square



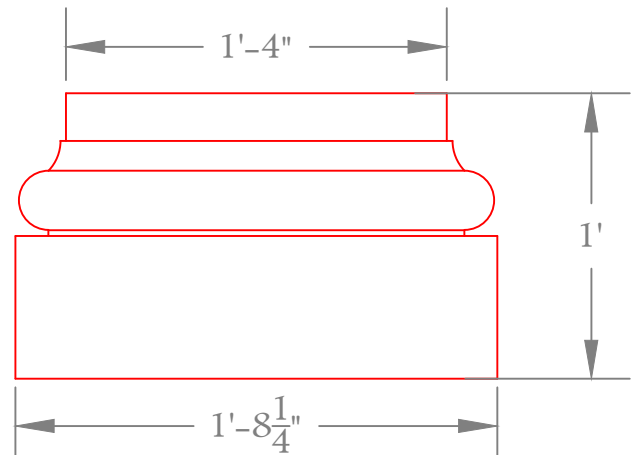
CL 04

Height: 1'-11"
Square



CL 05

Height: 1'-0"
Square



We have detailed CAD drawings available, Please inquire.

Fiblast, LLC

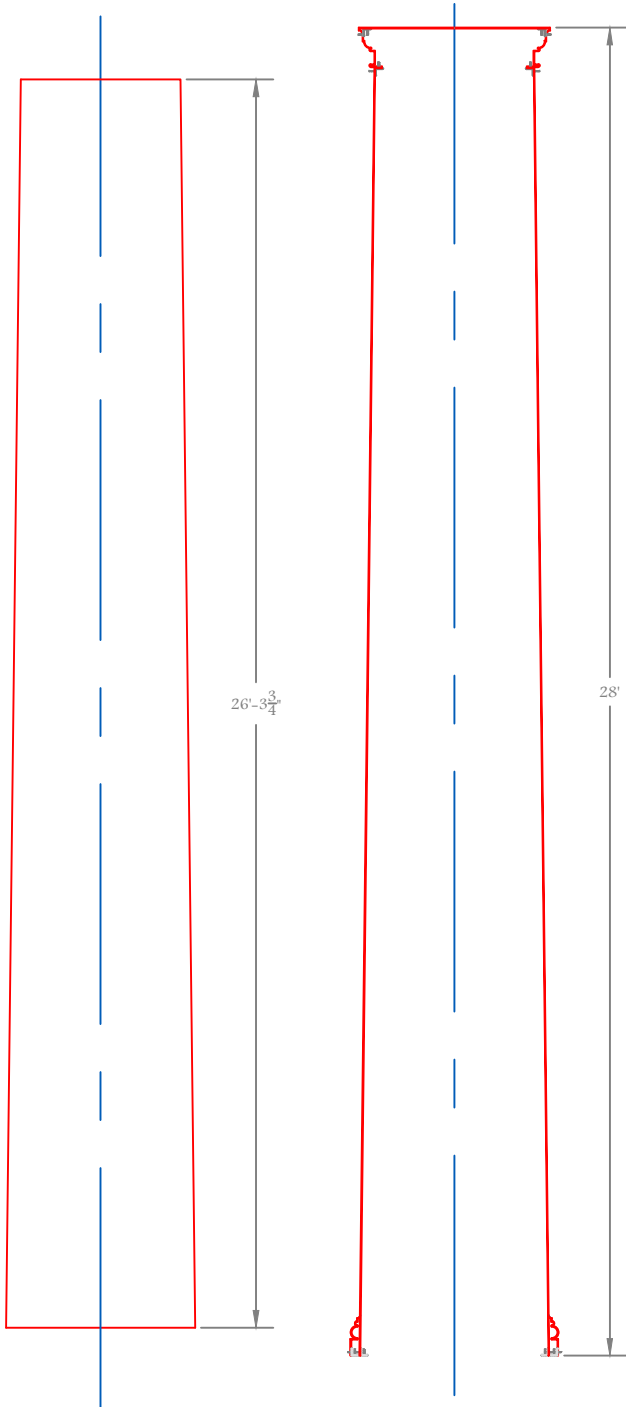
1602 Mizell Road, Tuskegee, AL 36083

Phone: (334) 513-1314 E-mail: PM1@fiblast.com

CL 06

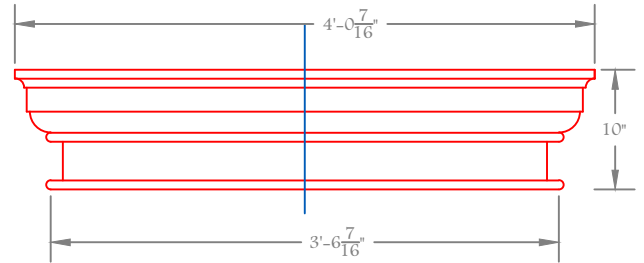
CRT-40-28

Diameter: 47.75"
Height: 26'-3³/₄"
Round



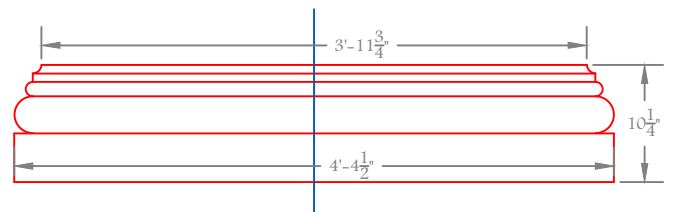
CL 07

Height: 10"
Round



CL 08

Height: 10¹/₄"
Round



We have detailed CAD drawings available, Please inquire.

Fiblast, LLC

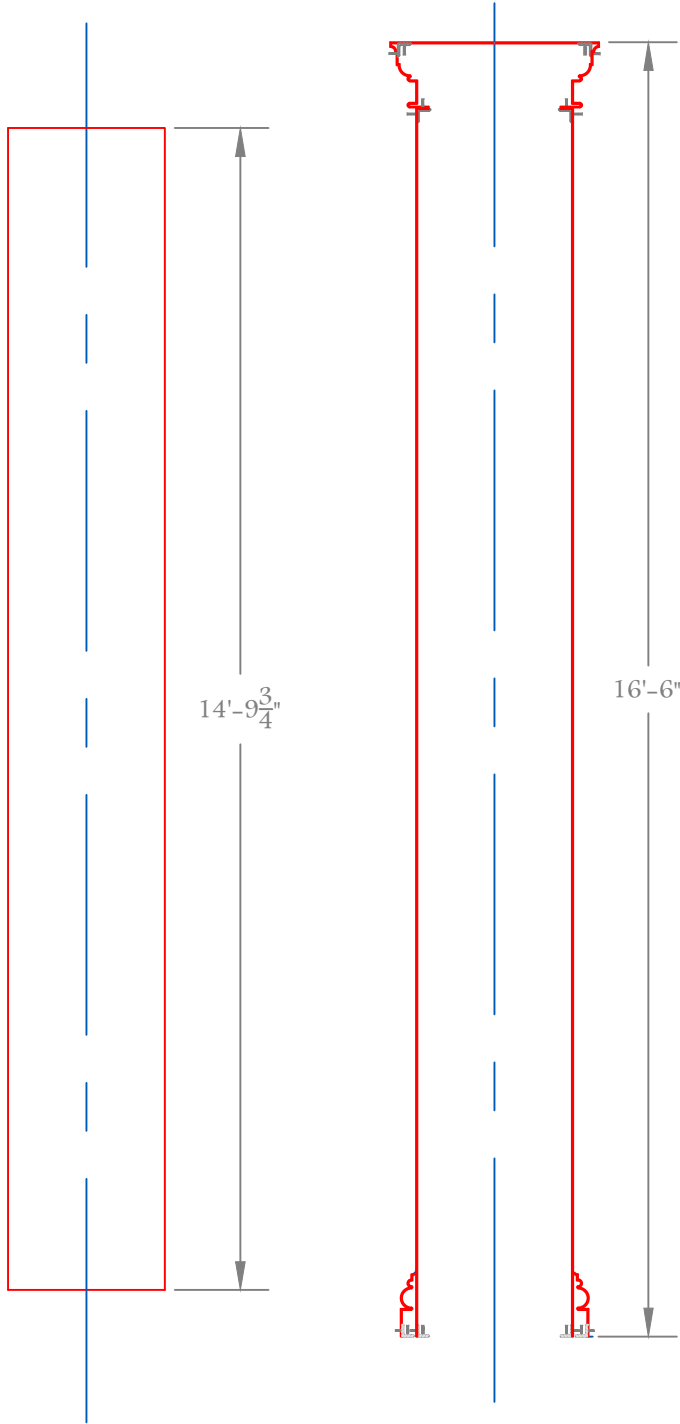
1602 Mizell Road, Tuskegee, AL 36083

Phone: (334) 513-1314 E-mail: PM1@fiblast.com

CL 09

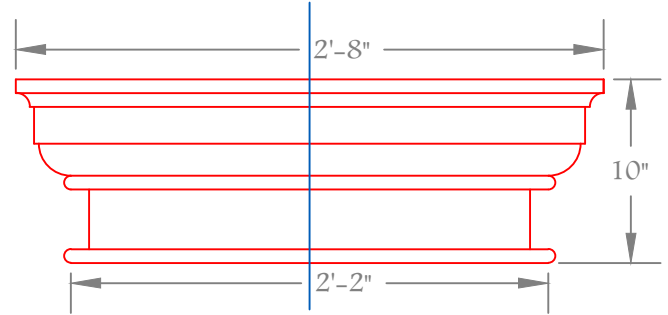
CRS-24-16.5

Diameter: 24"
Height: 14'-9³/₄"
Round



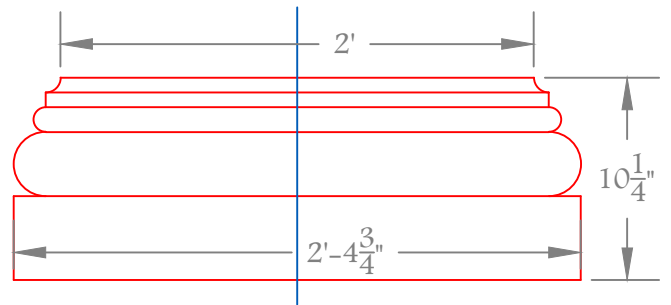
CL 10

Height: 10"
Round



CL 11

Height: 10¹/₄"
Round



We have detailed CAD drawings available, Please inquire.

Fiblast, LLC

1602 Mizell Road, Tuskegee, AL 36083

Phone: (334) 513-1314 E-mail: PM1@fiblast.com