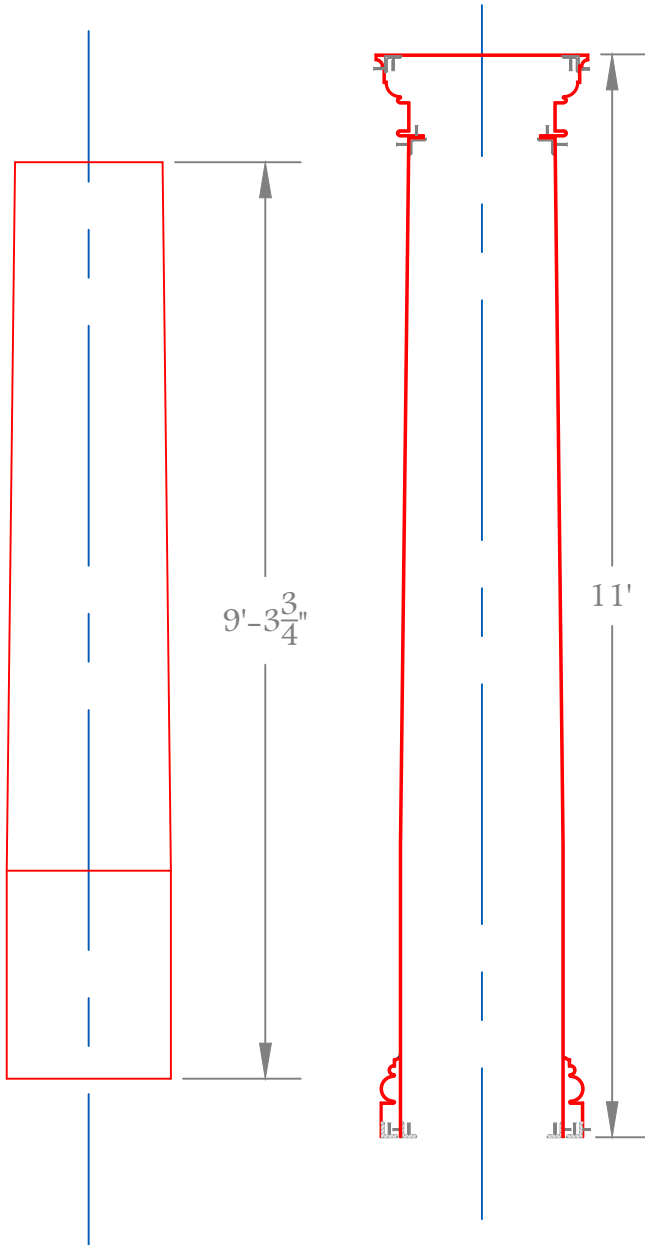


### CL 12

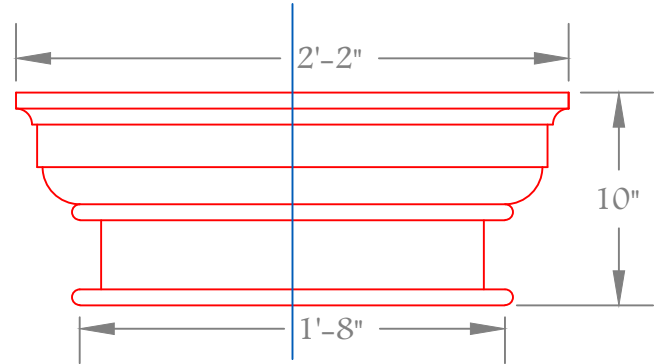
### CRT-20-11

Diameter: 20"  
Height: 9'-3<sup>3</sup>/<sub>4</sub>"  
Round



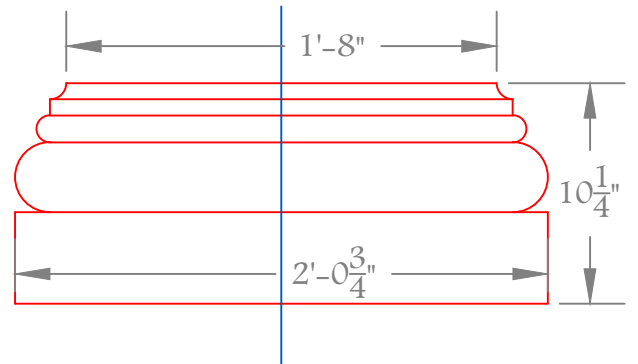
### CL 13

Height: 10"  
Round



### CL 14

Height: 10<sup>1</sup>/<sub>4</sub>"  
Round



We have detailed CAD drawings available, Please inquire.

## Fiblast, LLC

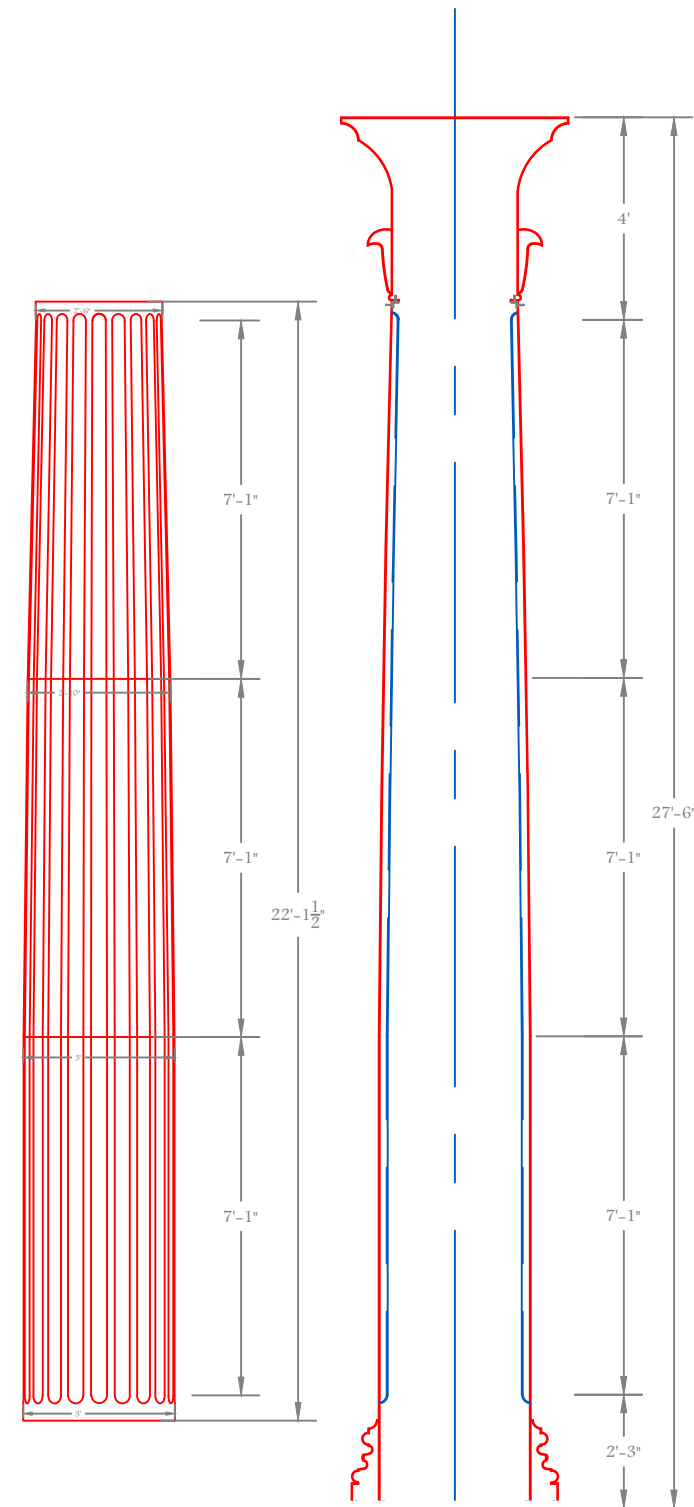
1602 Mizell Road, Tuskegee, AL 36083

Phone: (334) 513-1314 E-mail: PM1@fiblast.com

CL 15

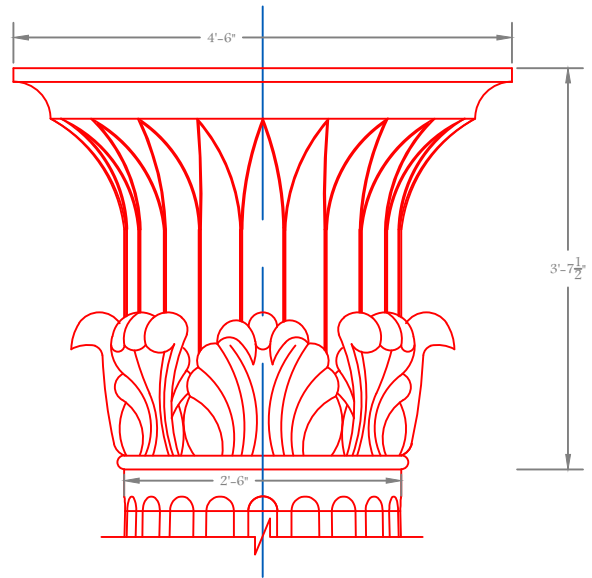
CRT-36-27.5

Diameter: 36"  
Height: 22'-1½"  
Round Fluted



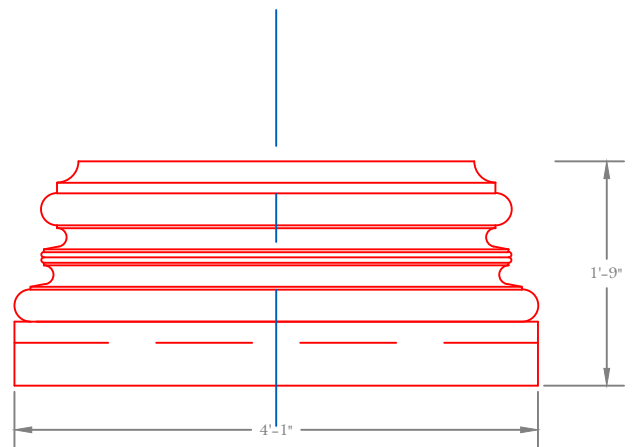
CL 16

Height: 3'-7½"  
Round



CL 17

Height: 1'-9"  
Round



We have detailed CAD drawings available, Please inquire.

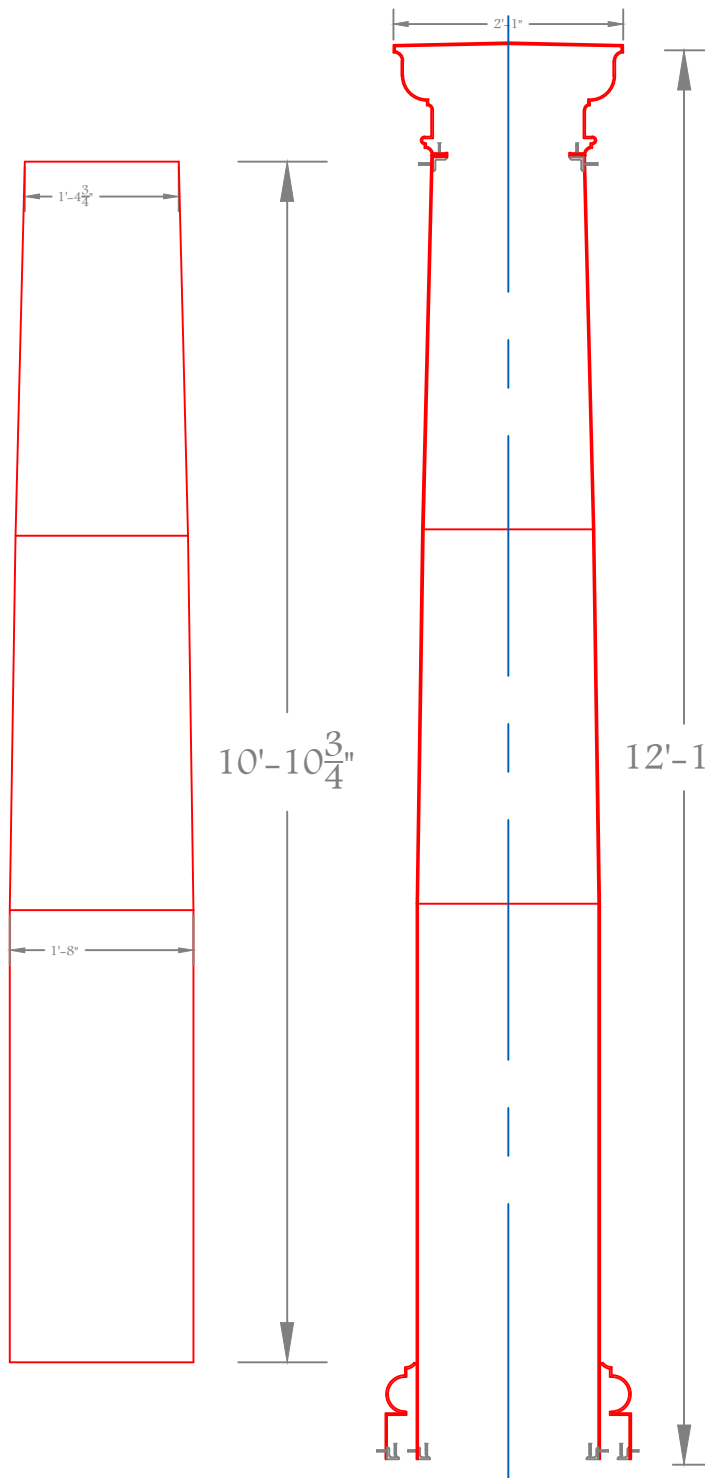
**Fiblast, LLC**

1602 Mizell Road, Tuskegee, AL 36083

Phone: (334) 513-1314 E-mail: PM1@fiblast.com

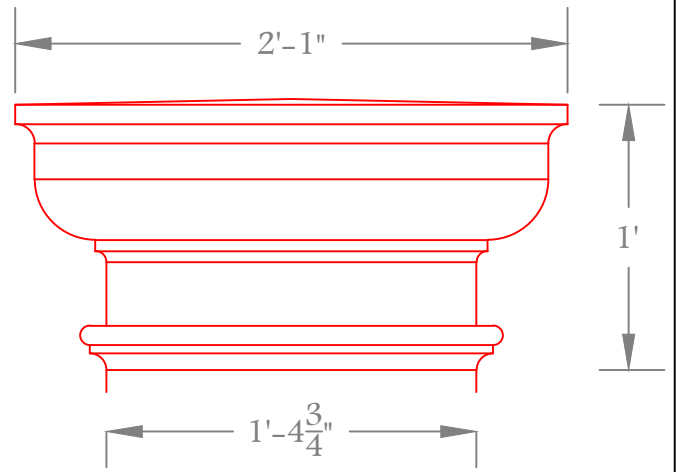
CL 18 CRT-20-12.125

Diameter: 20"  
Height: 10'-10<sup>3</sup>/<sub>4</sub>"  
Round



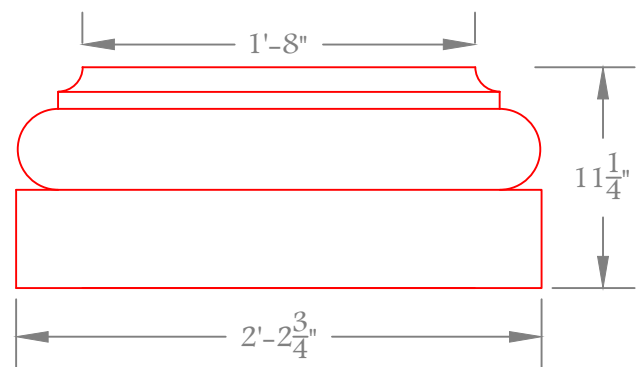
CL 19

Height: 1'-0"  
Round



CL 20

Height: 1 1/4"  
Round



We have detailed CAD drawings available, Please inquire.

**Fiblast, LLC**

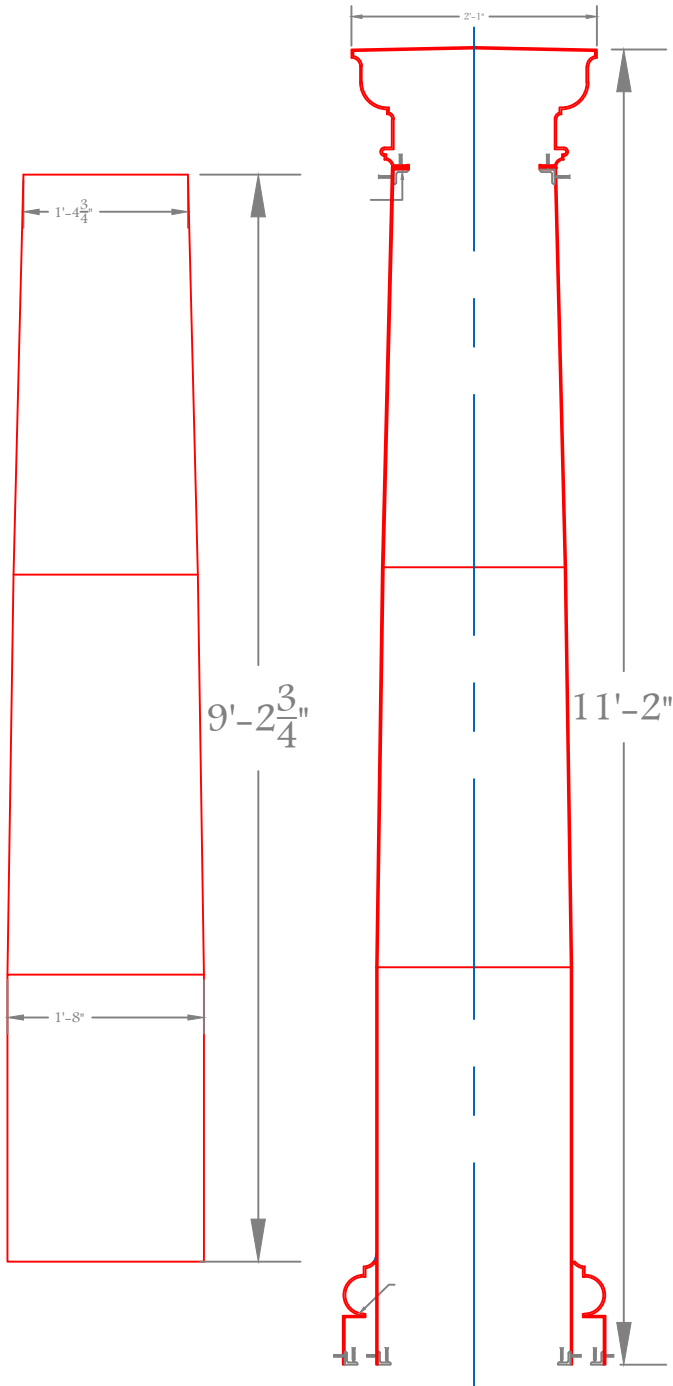
1602 Mizell Road, Tuskegee, AL 36083

Phone: (334) 513-1314 E-mail: PM1@fiblast.com

CL 21

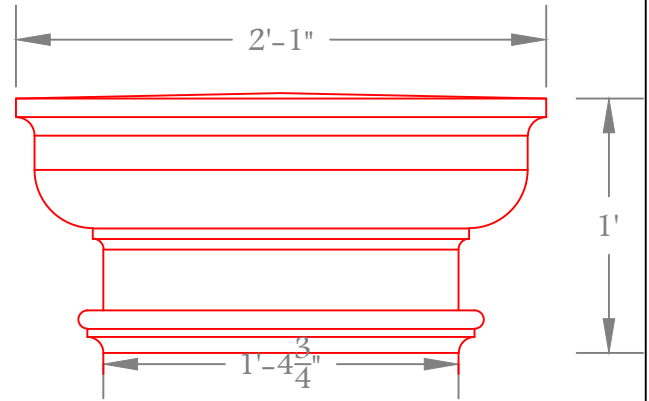
CRT-20-11.166

Diameter: 20"  
Height: 9'-2<sup>3</sup>/<sub>4</sub>"  
Round



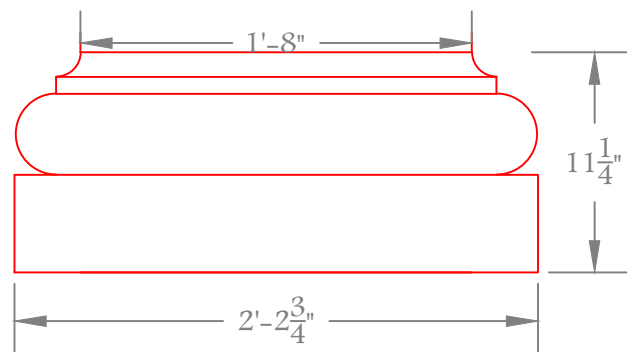
CL 22

Height: 1'-0"  
Round



CL 23

Height: 11<sup>1</sup>/<sub>4</sub>"  
Round



We have detailed CAD drawings available, Please inquire.

**Fiblast, LLC**

1602 Mizell Road, Tuskegee, AL 36083

Phone: (334) 513-1314 E-mail: PM1@fiblast.com