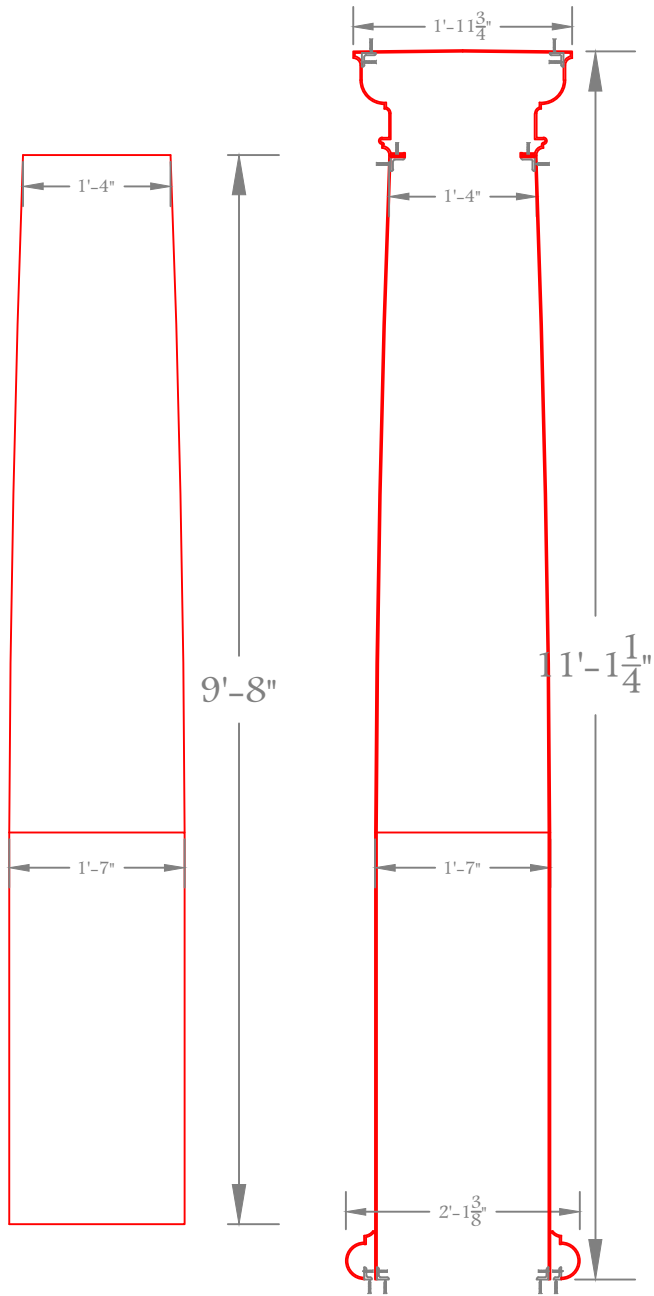


CL 71

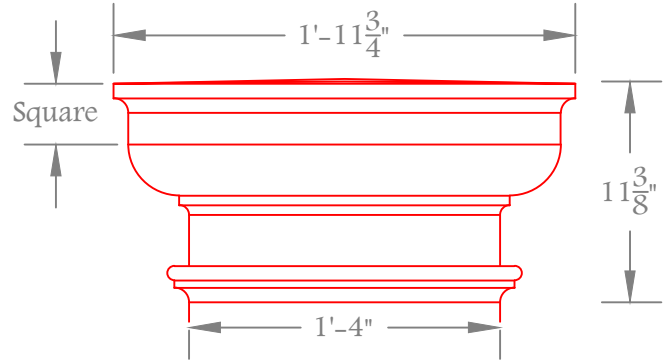
CRT-19-11.125

Diameter: 19"  
Height: 9'-8"  
Round



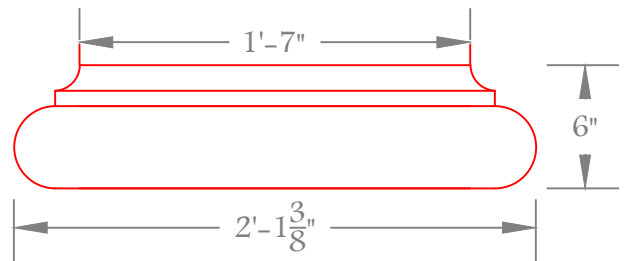
CL 72

Height: 1 13/8"  
Round



CL 73

Height :6"  
Round



We have detailed CAD drawings available, Please inquire.

**Fiblast, LLC**

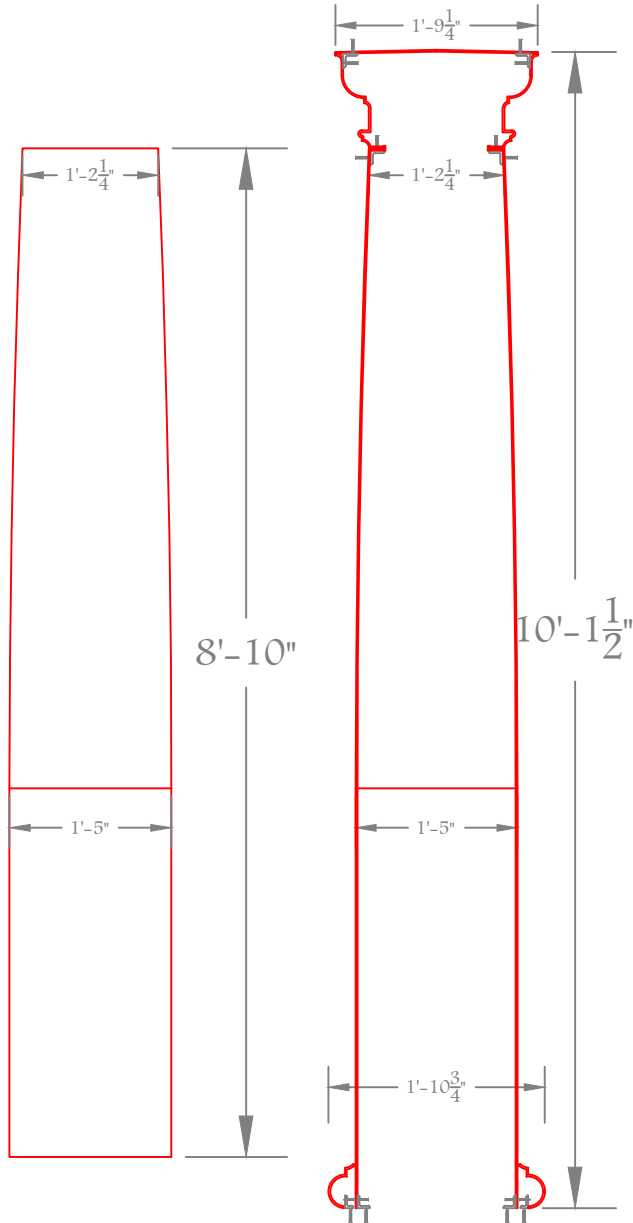
1602 Mizell Road, Tuskegee, AL 36083

Phone: (334) 513-1314 E-mail: PM1@fiblast.com

CL 74

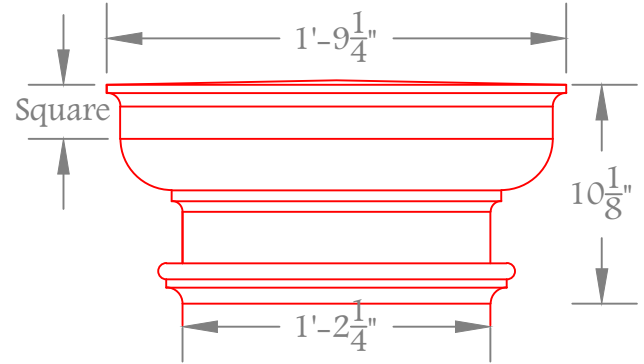
CRT-17-10.125

Diameter: 17"  
Height: 8'-10"  
Round



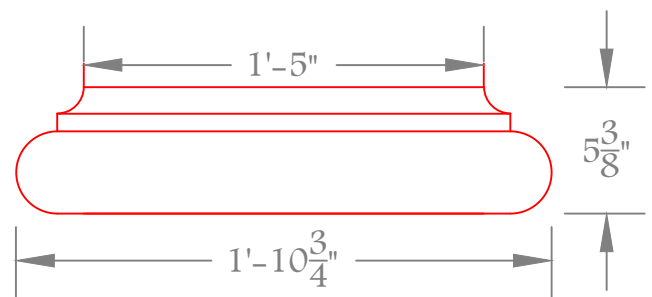
CL 75

Height: 10<sup>1</sup>/<sub>8</sub>"  
Round



CL 76

Height: 5<sup>3</sup>/<sub>8</sub>"  
Round



We have detailed CAD drawings available, Please inquire.

**Fiblast, LLC**

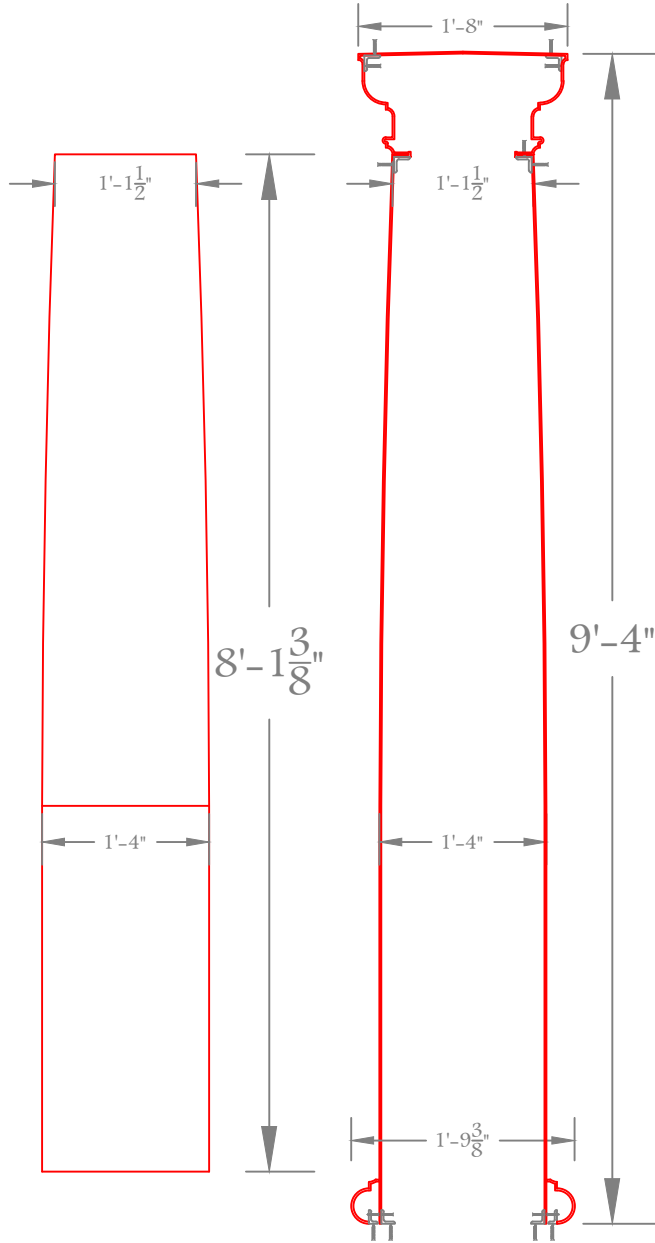
1602 Mizell Road, Tuskegee, AL 36083

Phone: (334) 513-1314 E-mail: PM1@fiblast.com

CL 77

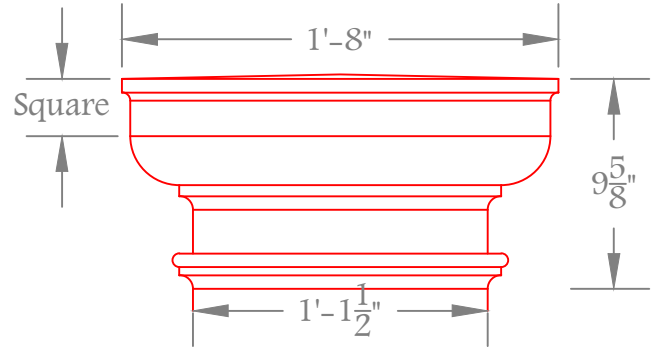
CRT-16-9.33

Diameter: 16"  
Height: 8'-1<sup>3</sup>/<sub>8</sub>"  
Round



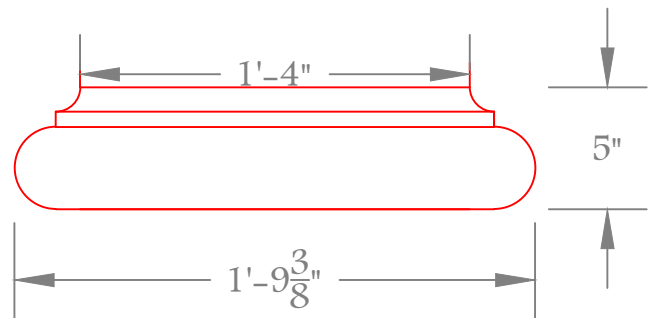
CL 78

Height: 9<sup>5</sup>/<sub>8</sub>"  
Round



CL 79

Height: 5"  
Round



We have detailed CAD drawings available, Please inquire.

**Fiblast, LLC**

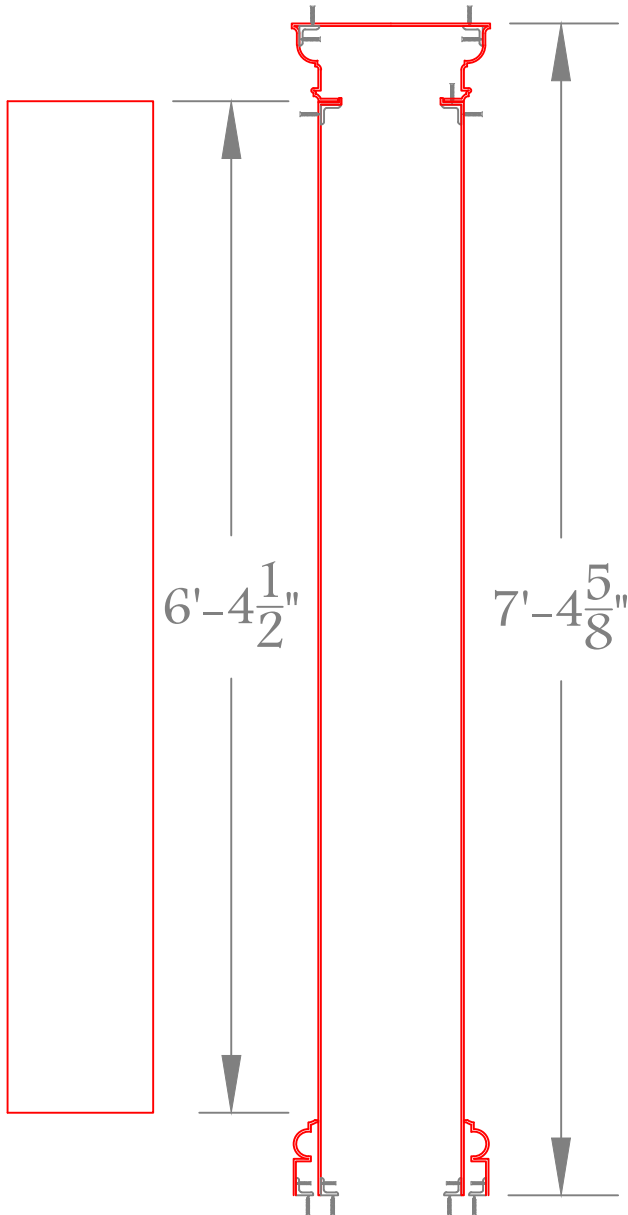
1602 Mizell Road, Tuskegee, AL 36083

Phone: (334) 513-1314 E-mail: PM1@fiblast.com

CL 80

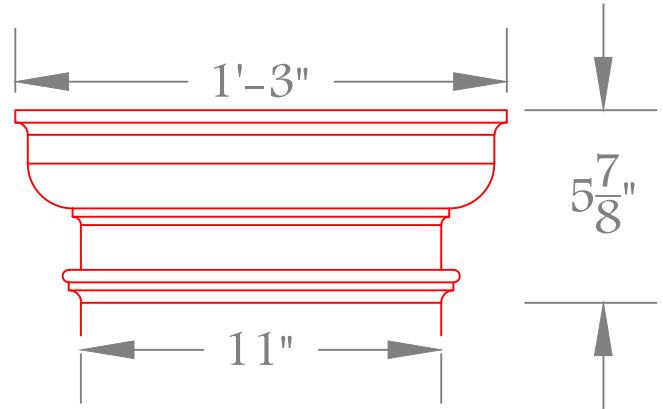
CRQ-11-7.5

Diameter: 11"  
Height :6'-4½"  
Square



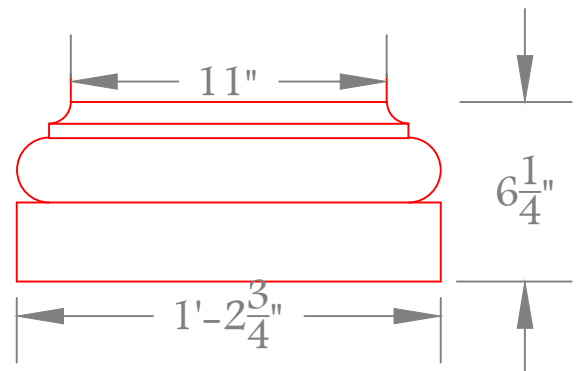
CL 81

Height: 5⅞"  
Square



CL 82

Height: 6¼"  
Square



We have detailed CAD drawings available, Please inquire.

**Fiblast, LLC**

1602 Mizell Road, Tuskegee, AL 36083

Phone: (334) 513-1314 E-mail: PM1@fiblast.com