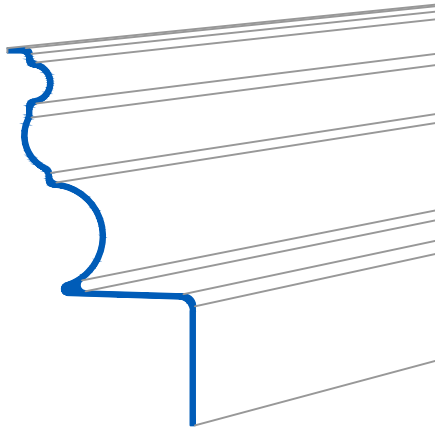


C201

Height: 1'-3¹¹/₁₆"

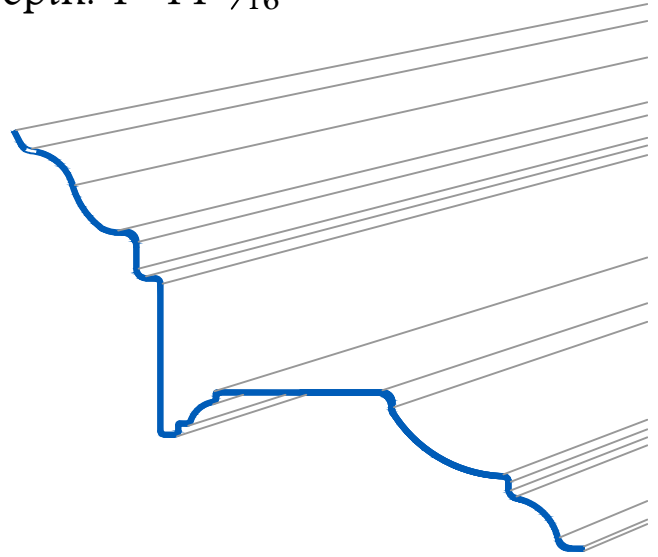
Depth: 0'-7¹³/₁₆"



C202

Height: 1'-5¹/₂"

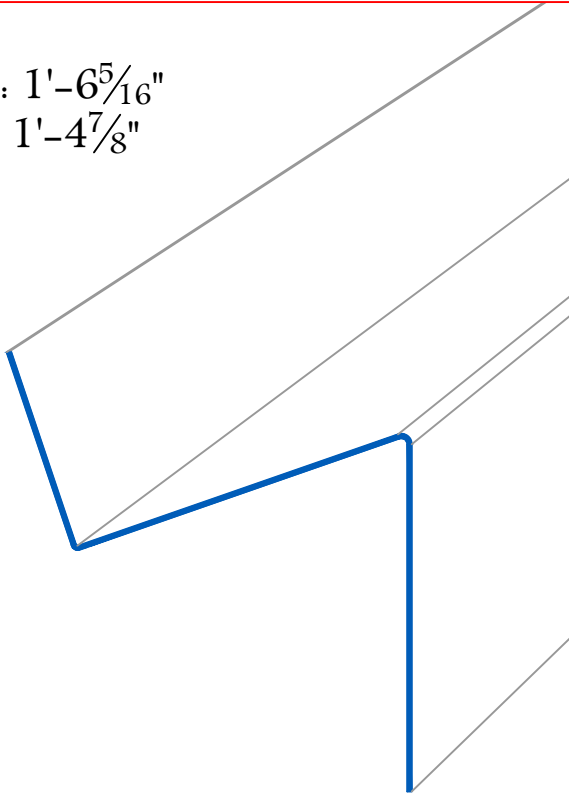
Depth: 1'-11¹³/₁₆"



C203

Height: 1'-6⁵/₁₆"

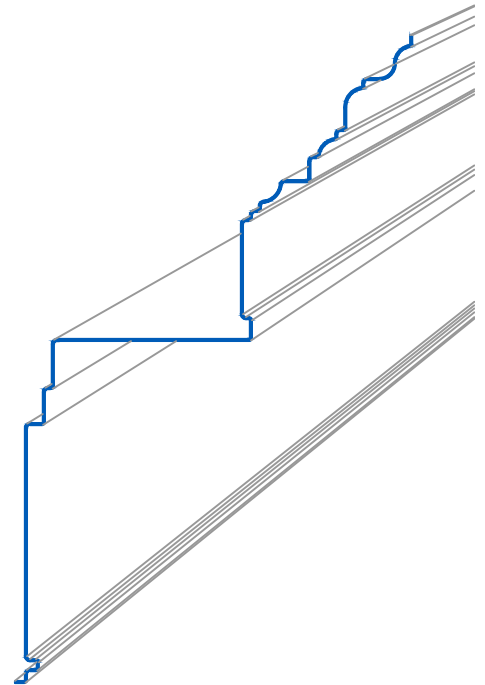
Depth: 1'-4⁷/₈"



C204

Height: 4'-6"

Depth: 2'-9¹/₈"



We have detailed CAD drawings available, Please inquire.

Fiblast, LLC

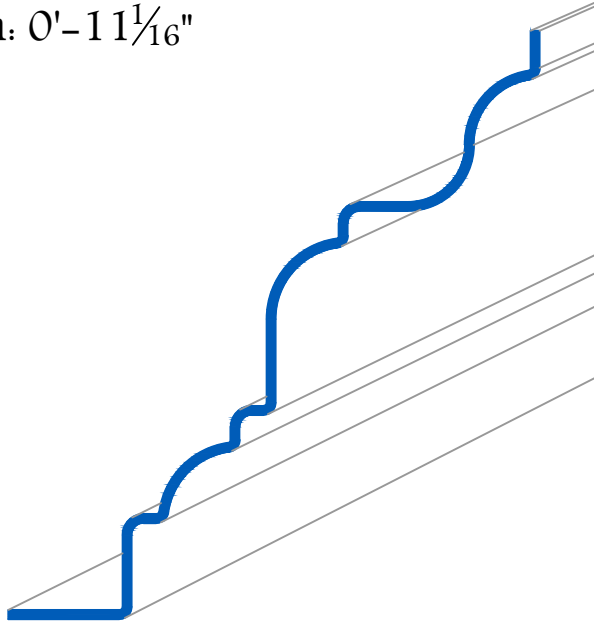
1602 Mizell Road, Tuskegee, AL 36083

Phone: (334) 513-1314 E-mail: PM1@fiblast.com

C205

Height: 1'-0¹/₄"

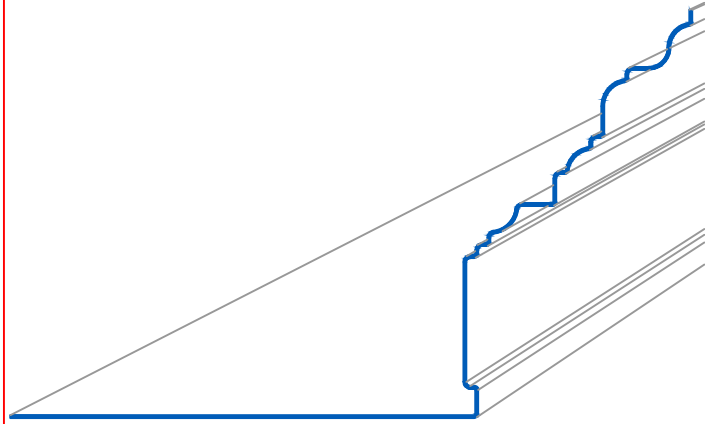
Depth: 0'-11¹/₁₆"



C206

Height: 2'-1¹/₂"

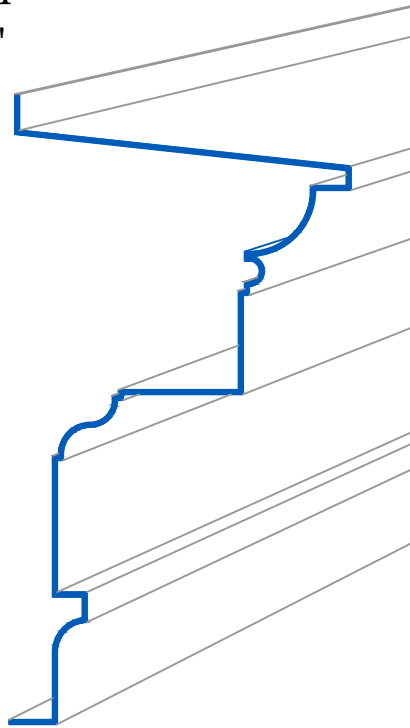
Depth: 1'-1⁵/₈"



C207

Height: 2'-2 1/4"

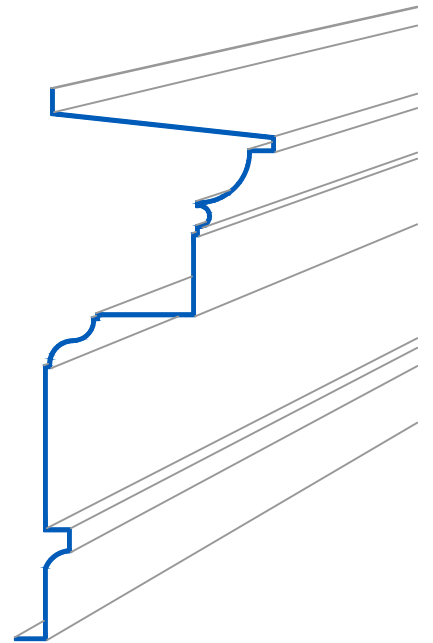
Depth: 1'-2 1/4"



C208

Height: 2'-10 1/2"

Depth: 1'-4 1/4"



We have detailed CAD drawings available, Please inquire.

Fiblast, LLC

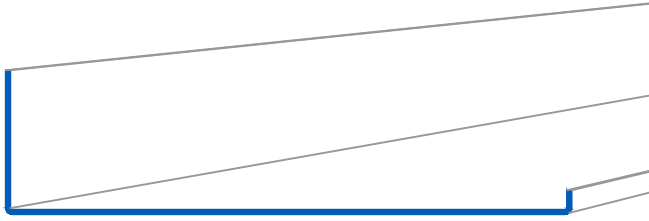
1602 Mizell Road, Tuskegee, AL 36083

Phone: (334) 513-1314 E-mail: PM1@fiblast.com

C209

Height: 6"

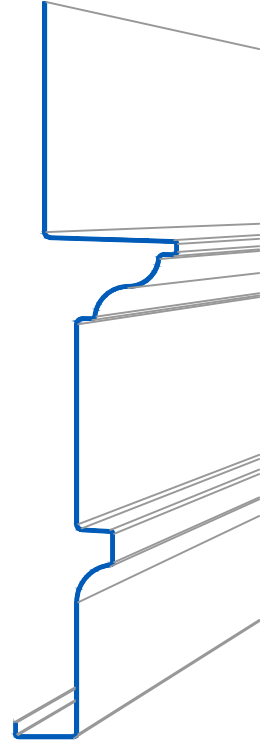
Depth: 1'-11 9/16"



C210

Height: 3'-10"

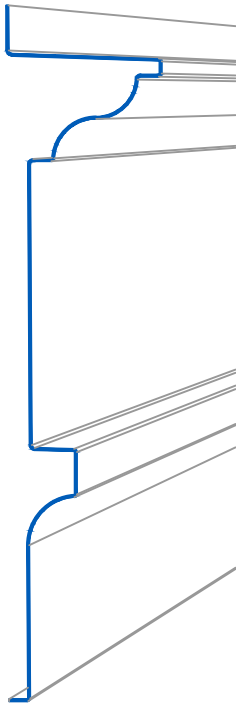
Depth: 2'-5 3/4"



C211

Height: 4'-10"

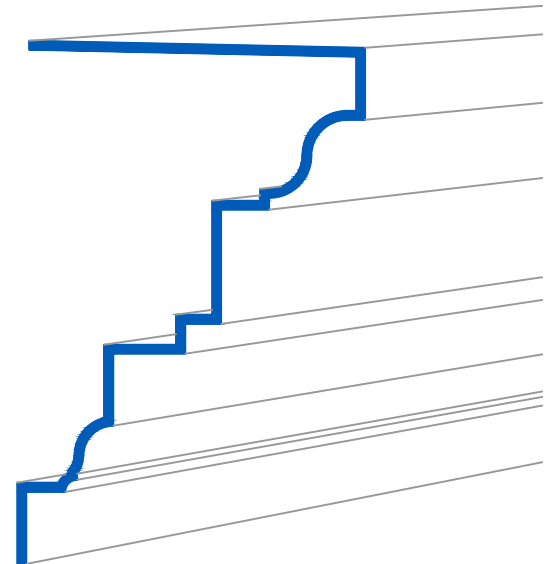
Depth: 1'-0 15/16"



C212

Height: 0'-10 7/8"

Depth: 0'-7 1/4"



We have detailed CAD drawings available, Please inquire.

Fiblast, LLC

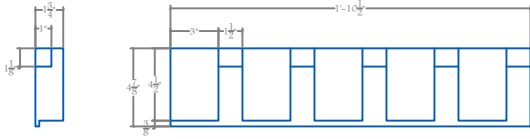
1602 Mizell Road, Tuskegee, AL 36083

Phone: (334) 513-1314 E-mail: PM1@fiblast.com

C213

Height: 0'-4 7/8"

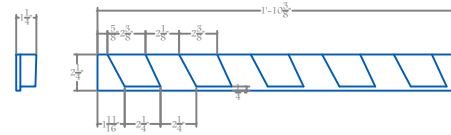
Depth: 1'-10 1/2"



C214

Height: 1'-10 3/8"

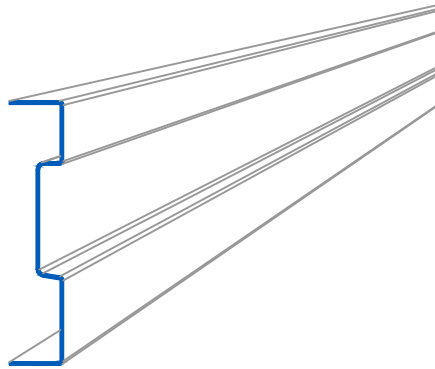
Depth: 0'-2 1/4"



C215

Height: 1'-4 1/2"

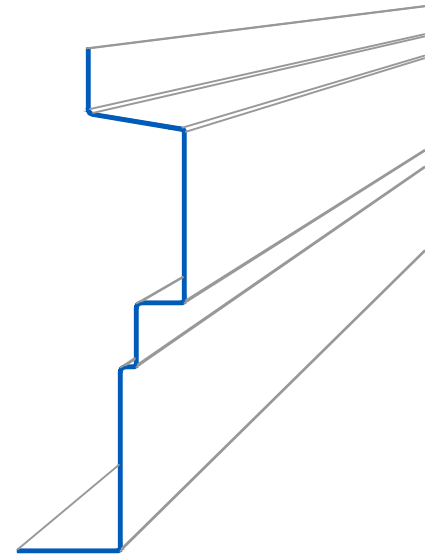
Depth: 0'-3 3/8"



C216

Height: 2'-7 1/2"

Depth: 0'-10 1/2"



We have detailed CAD drawings available, Please inquire.

Fiblast, LLC

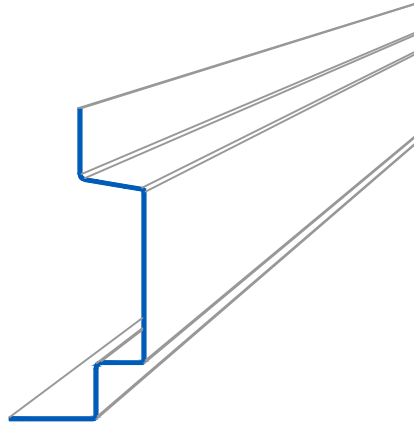
1602 Mizell Road, Tuskegee, AL 36083

Phone: (334) 513-1314 E-mail: PM1@fiblast.com

C217

Height: 1'-7 1/2"

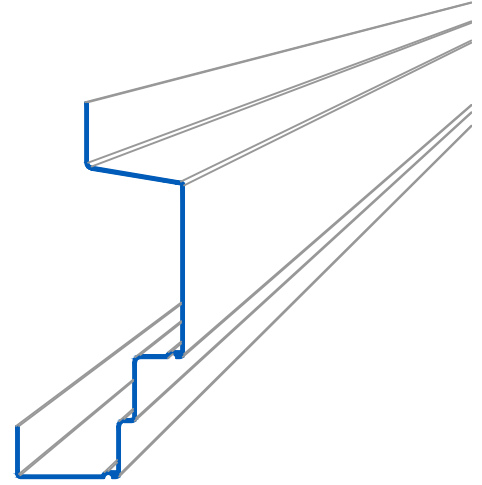
Depth: 0'-8 1/2"



C218

Height: 1'-11 1/2"

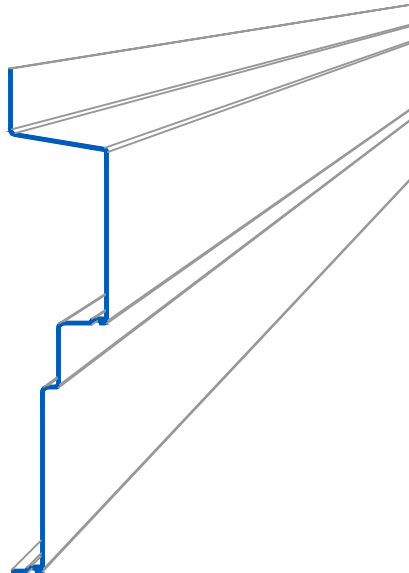
Depth: 0'-10 1/2"



C219

Height: 2'-7 1/2"

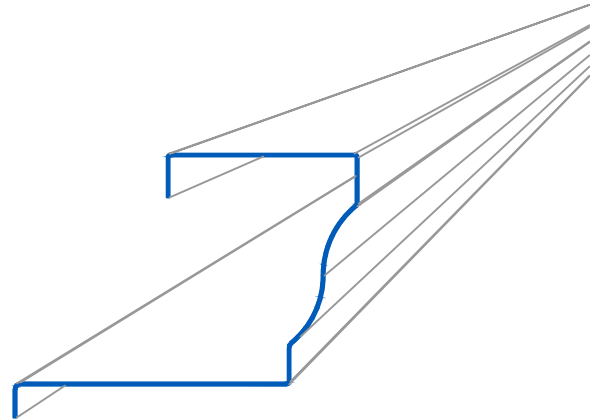
Depth: 0'-6 3/16"



C220

Height: 1'-4 1/2"

Depth: 1'-9 9/16"



We have detailed CAD drawings available, Please inquire.

Fiblast, LLC

1602 Mizell Road, Tuskegee, AL 36083

Phone: (334) 513-1314 E-mail: PM1@fiblast.com