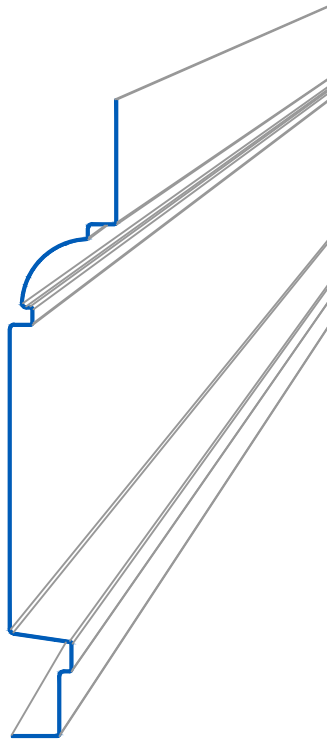


C221

Height: 4'-5 1/8"

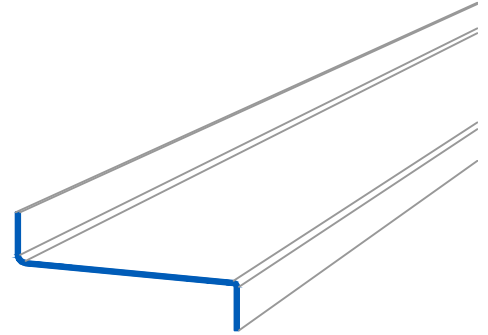
Depth: 0'-9 1/16"



C222

Height: 0'-4 15/16"

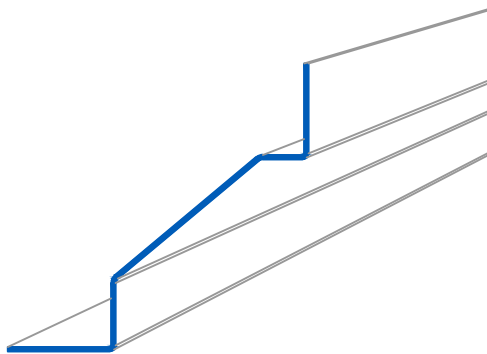
Depth: 0'-9 5/16"



C223

Height: 1'-0"

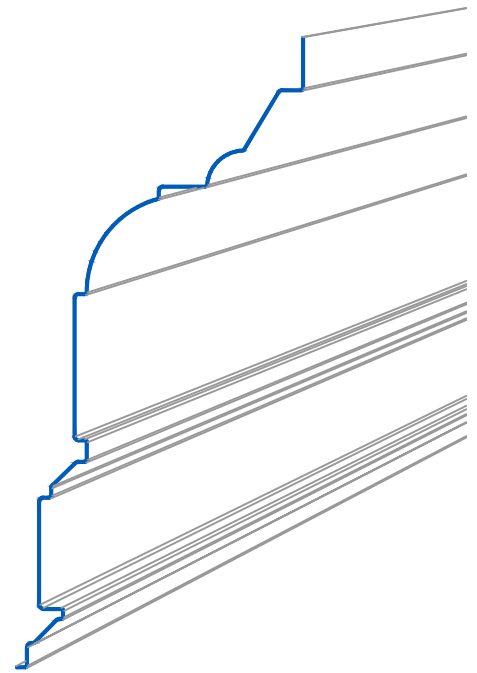
Depth: 1'-0 1/2"



C224

Height: 4'-4 5/8"

Depth: 2'-0"



We have detailed CAD drawings available, Please inquire.

Fiblast, LLC

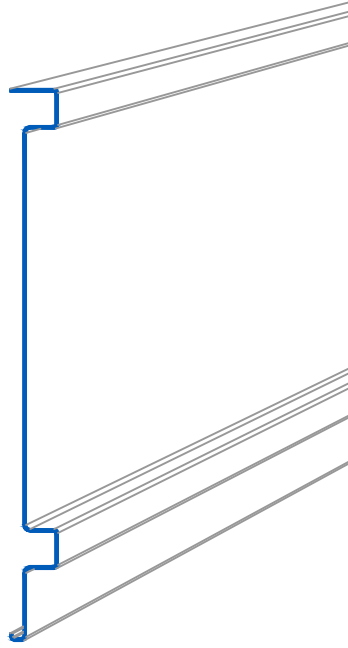
1602 Mizell Road, Tuskegee, AL 36083

Phone: (334) 513-1314 E-mail: PM1@fiblast.com

C225

Height: 2'-10 1/2"

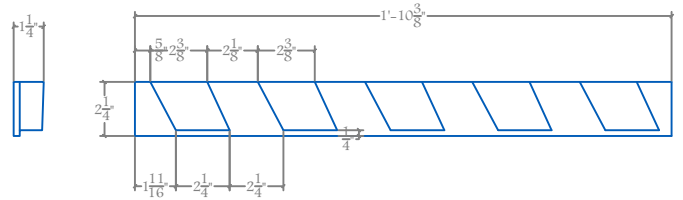
Depth: 0'-3"



C226

Height: 2 1/4"

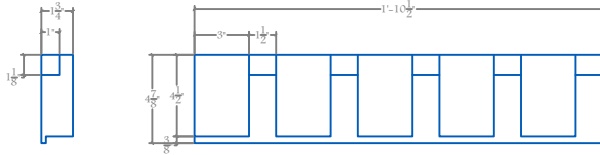
Depth: 1 1/4"



C227

Height: 4 7/8"

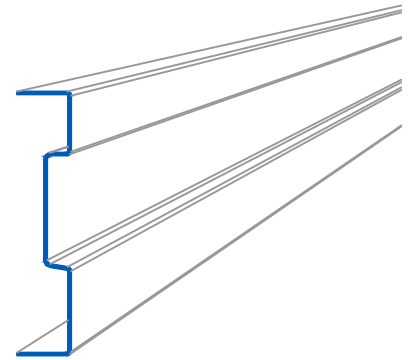
Depth: 1 3/4"



C228

Height: 1 4 1/2"

Depth: 3 3/8"



We have detailed CAD drawings available, Please inquire.

Fiblast, LLC

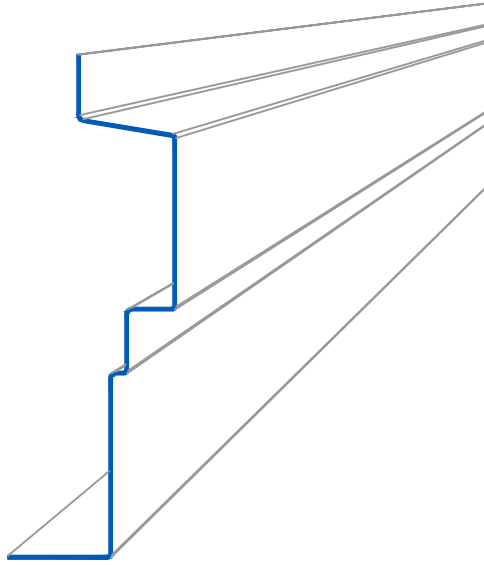
1602 Mizell Road, Tuskegee, AL 36083

Phone: (334) 513-1314 E-mail: PM1@fiblast.com

C229

Height: 2' - 7 1/2"

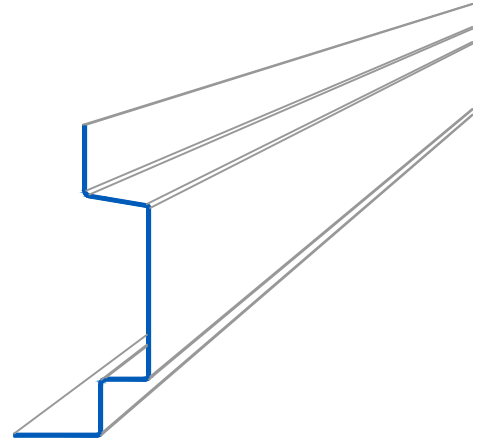
Depth: 10 1/2"



C230

Height: 1' 7 1/2"

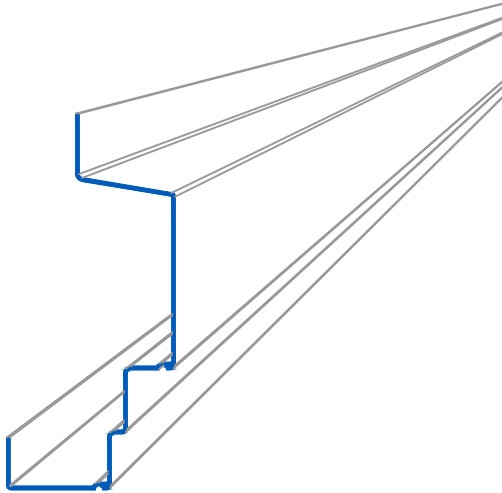
Depth: 8 1/2"



C231

Height: 1' 11 1/2"

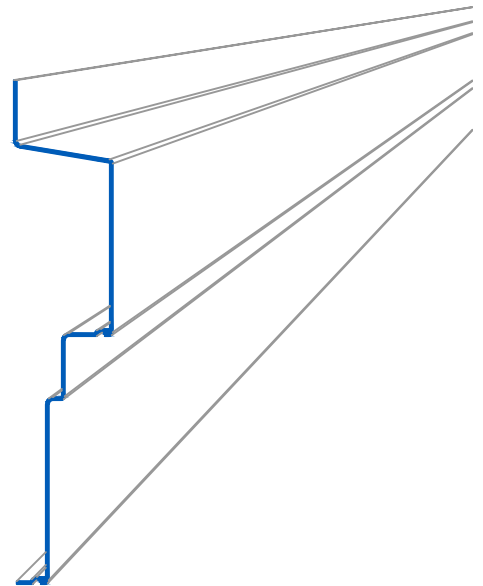
Depth: 10 1/2"



C232

Height: 2' - 7 1/2"

Depth: 6"



We have detailed CAD drawings available, Please inquire.

Fiblast, LLC

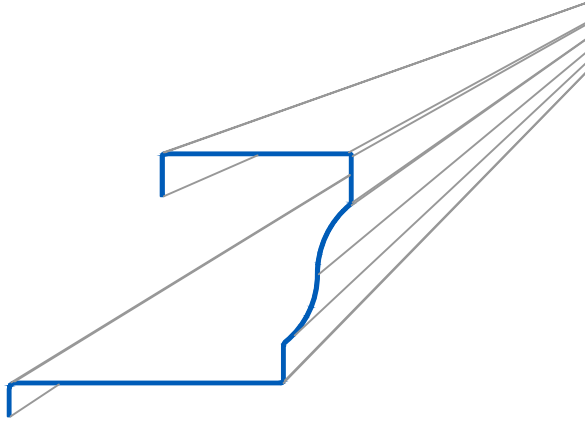
1602 Mizell Road, Tuskegee, AL 36083

Phone: (334) 513-1314 E-mail: PM1@fiblast.com

C233

Height: 1' - 4 1/2"

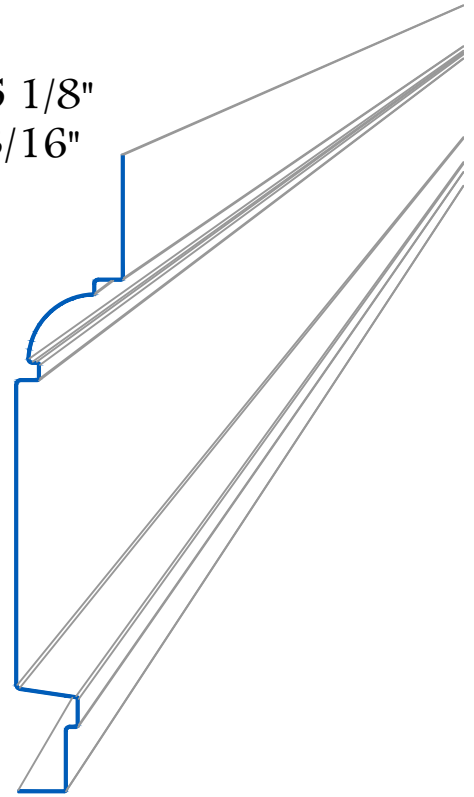
Depth: 1' - 9 3/8"



C234

Height: 4' - 5 1/8"

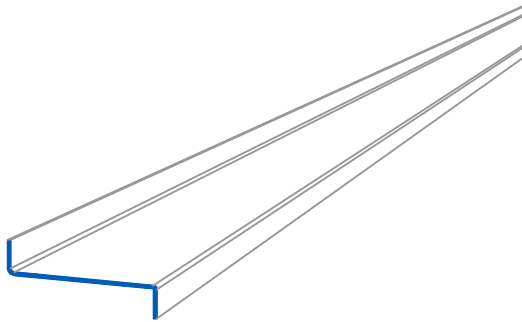
Depth: 8 13/16"



C235

Height: 5"

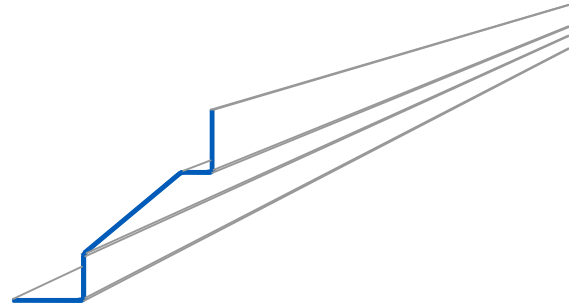
Depth: 9 1/8"



C236

Height: 1'

Depth: 1' - 1/2"



We have detailed CAD drawings available, Please inquire.

Fiblast, LLC

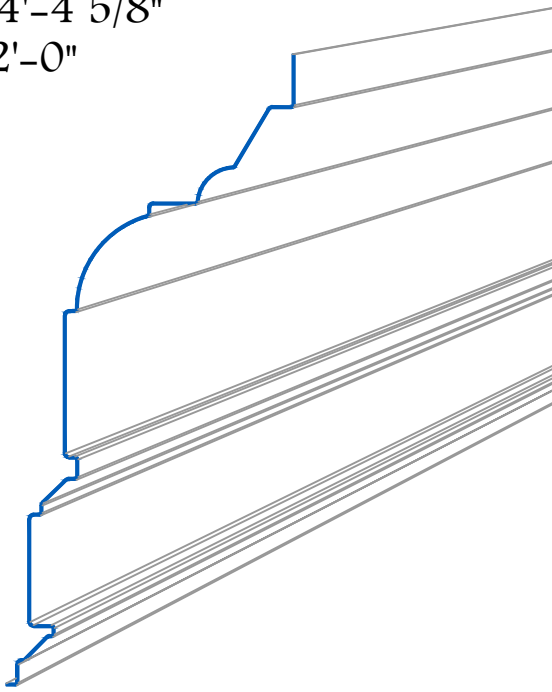
1602 Mizell Road, Tuskegee, AL 36083

Phone: (334) 513-1314 E-mail: PM1@fiblast.com

C237

Height: 4'-4 5/8"

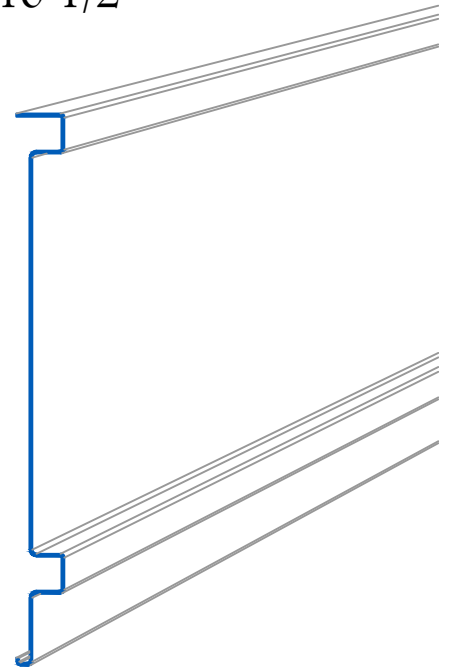
Depth: 2'-0"



C238

Height: 2'-10 1/2"

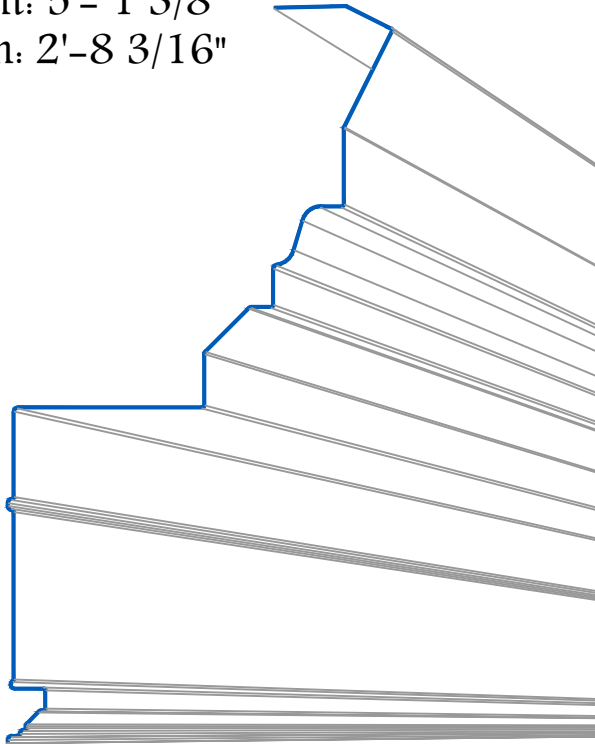
Depth: 3"



C239

Height: 5'-1 3/8"

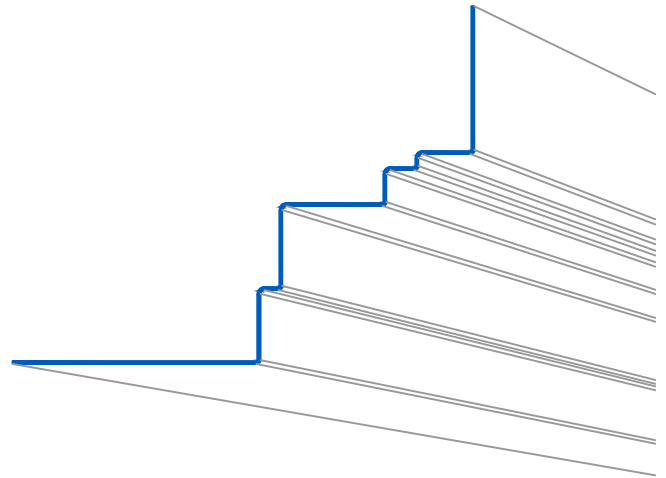
Depth: 2'-8 3/16"



C240

Height: 2'-4 7/8"

Depth: 1'-10 3/8"



We have detailed CAD drawings available, Please inquire.

Fiblast, LLC

1602 Mizell Road, Tuskegee, AL 36083

Phone: (334) 513-1314 E-mail: PM1@fiblast.com