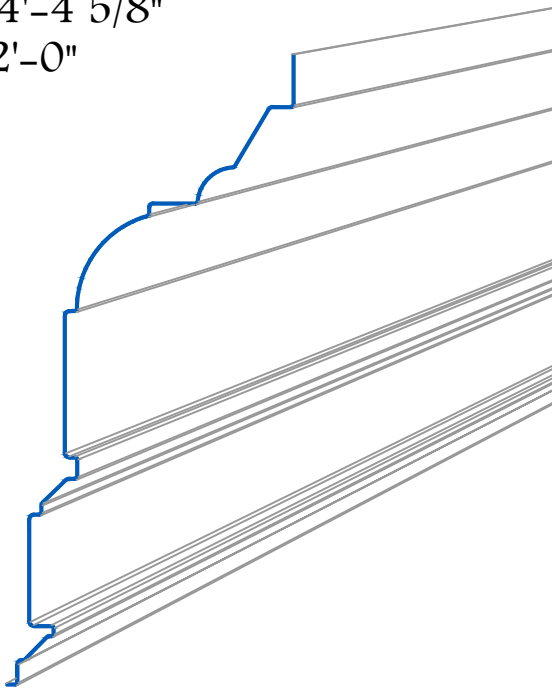


C237

Height: 4'-4 5/8"

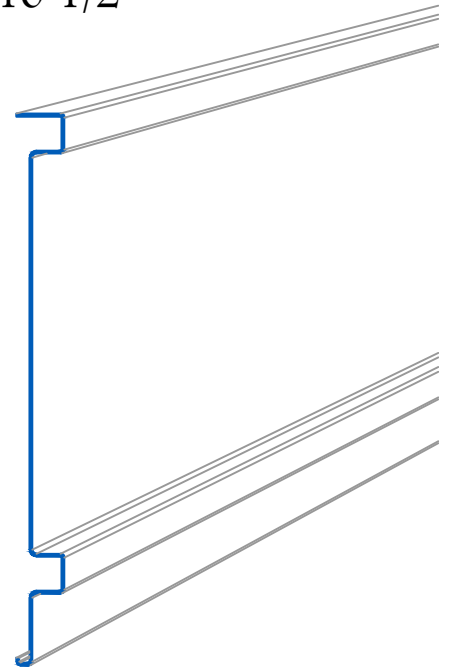
Depth: 2'-0"



C238

Height: 2'-10 1/2"

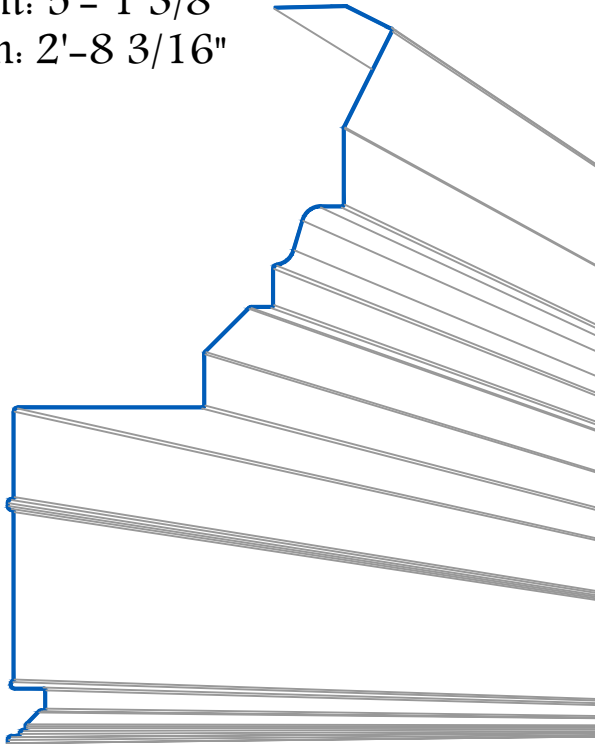
Depth: 3"



C239

Height: 5'-1 3/8"

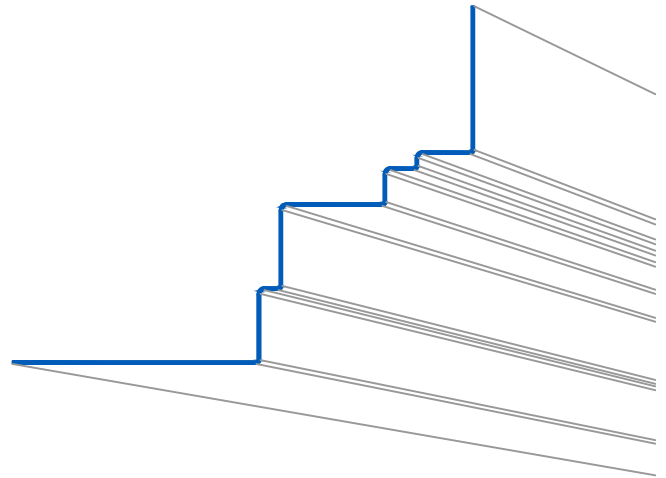
Depth: 2'-8 3/16"



C240

Height: 2'-4 7/8"

Depth: 1'-10 3/8"



We have detailed CAD drawings available, Please inquire.

Fiblast, LLC

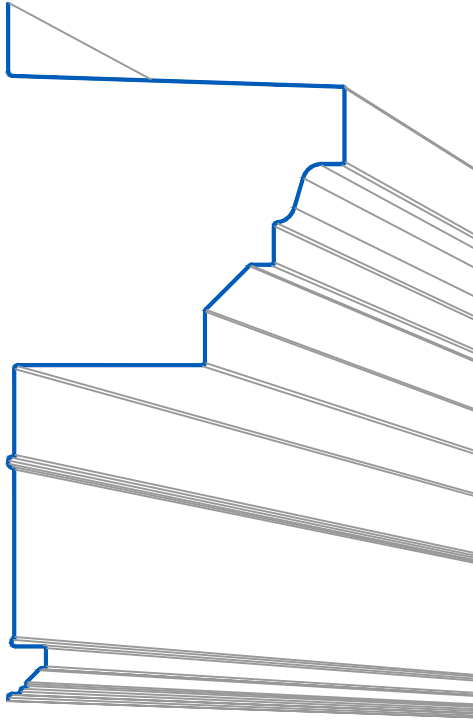
1602 Mizell Road, Tuskegee, AL 36083

Phone: (334) 513-1314 E-mail: PM1@fiblast.com

C241

Height: 4'-10"

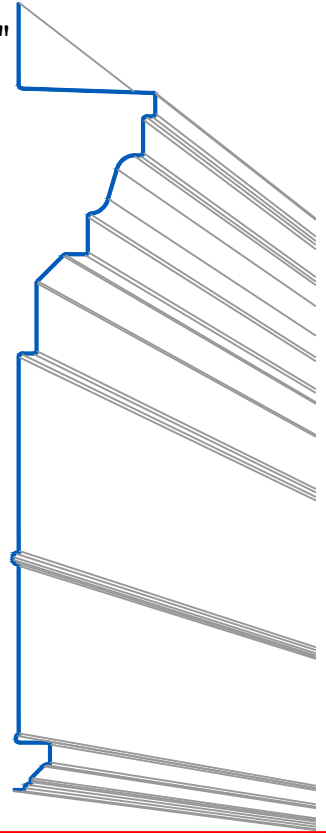
Depth: 2'-4"



C242

Height: 5'-5 7/16"

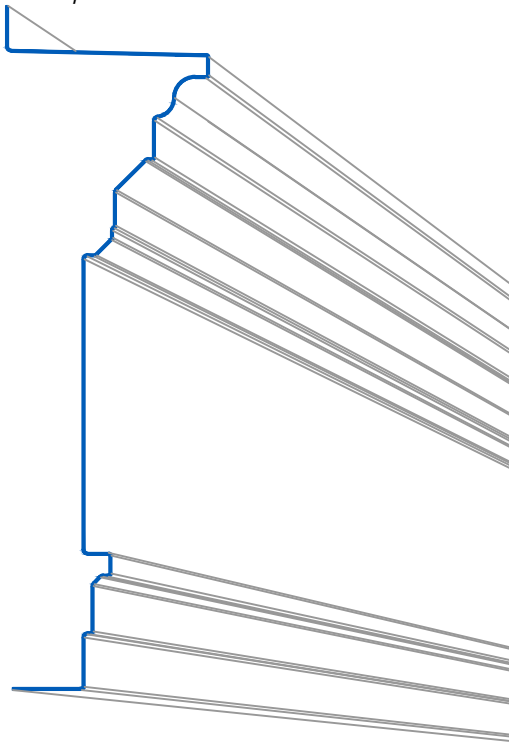
Depth: 1'-0"



C243

Height: 4'-9"

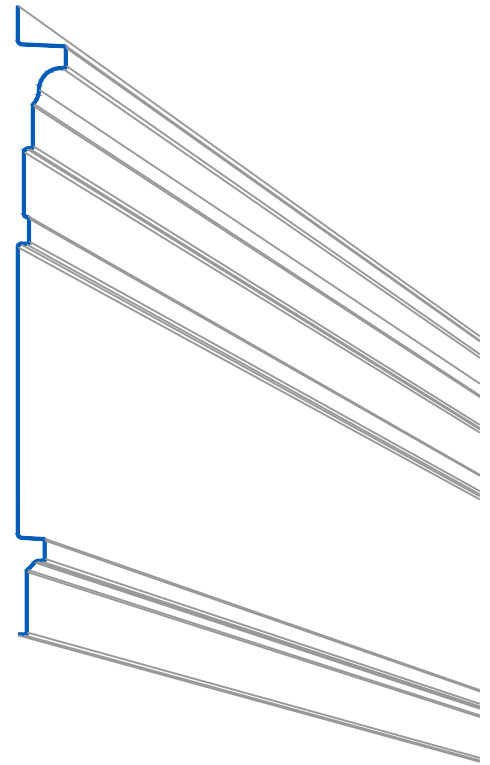
Depth: 1'-4 3/8"



C244

Height: 4'-4 7/16"

Depth: 4"



Fiblast, LLC

1602 Mizell Road, Tuskegee, AL 36083

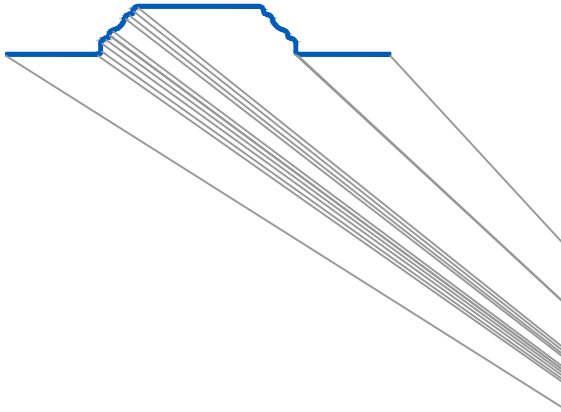
Phone: (334) 513-1314 E-mail: PM1@fiblast.com

We have detailed CAD drawings available, Please inquire.

C245

Height: 1'

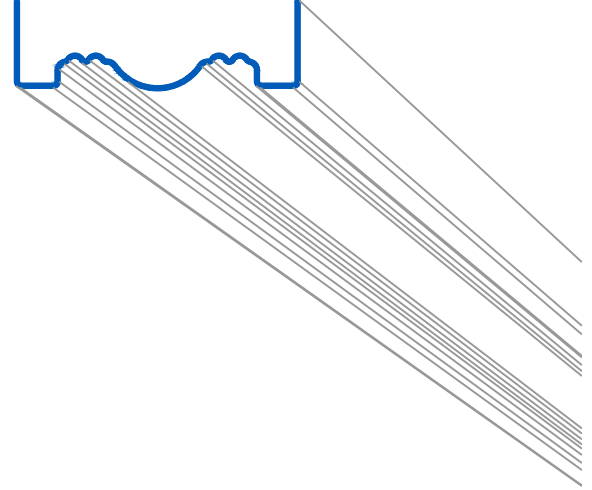
Depth: 2'



C246

Height: 3 5/8"

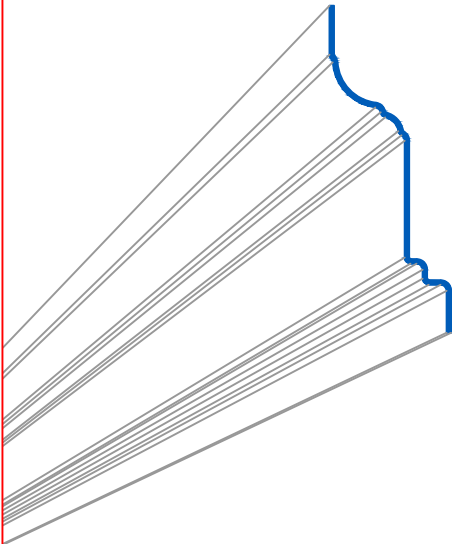
Depth: 11 7/8"



C247

Height: 1'-1 5/8"

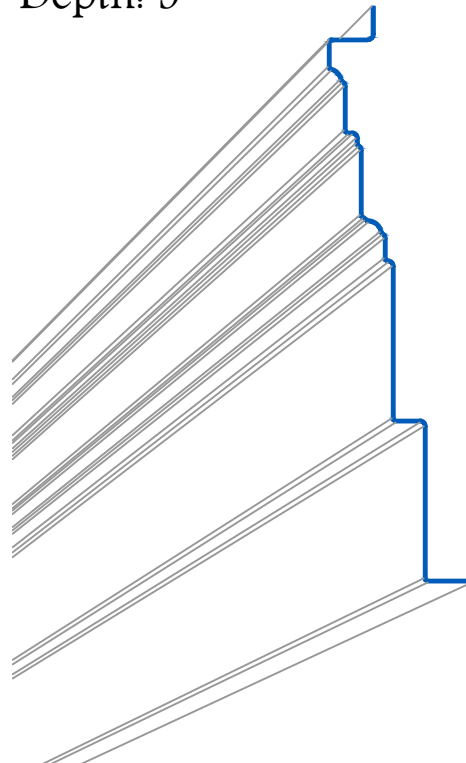
Depth: 4 7/8"



C248

Height: 3'-0"

Depth: 9"



Fiblast, LLC

1602 Mizell Road, Tuskegee, AL 36083

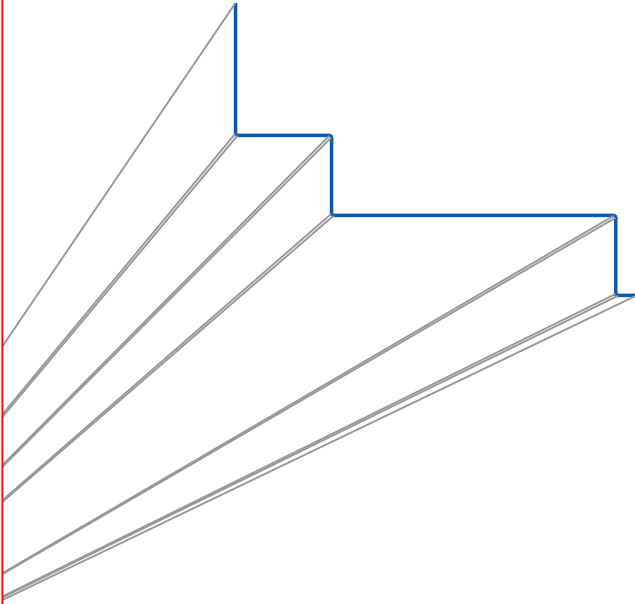
Phone: (334) 513-1314 E-mail: PM1@fiblast.com

We have detailed CAD drawings available, Please inquire.

C249

Height: 3' - 1/2"

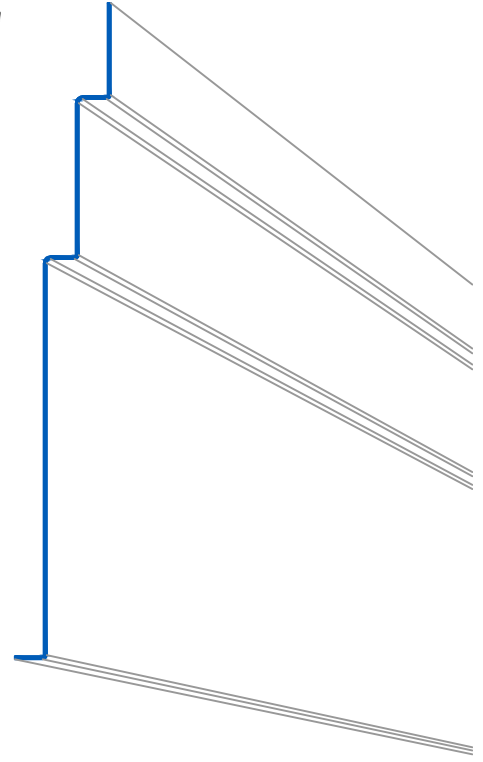
Depth: 4'-2"



C250

Height: 3'-5"

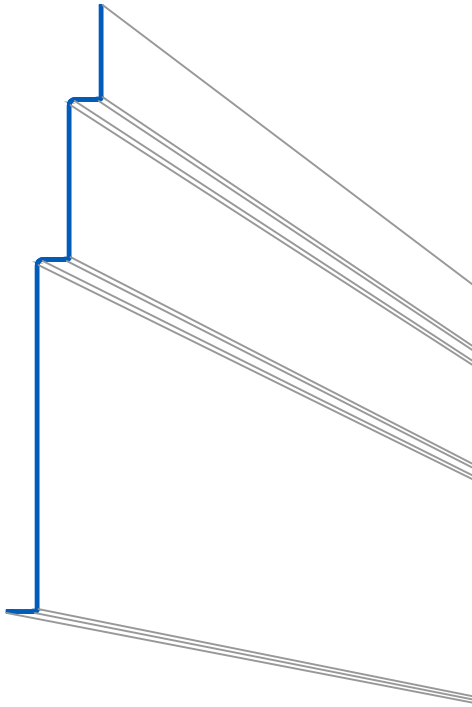
Depth: 6"



C251

Height: 3'-2"

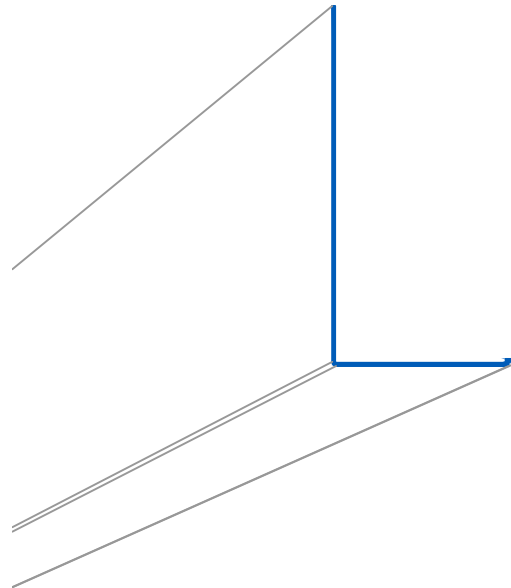
Depth: 6"



C252

Height: 1'-10 1/4"

Depth: 11 5/8"



We have detailed CAD drawings available, Please inquire.

Fiblast, LLC

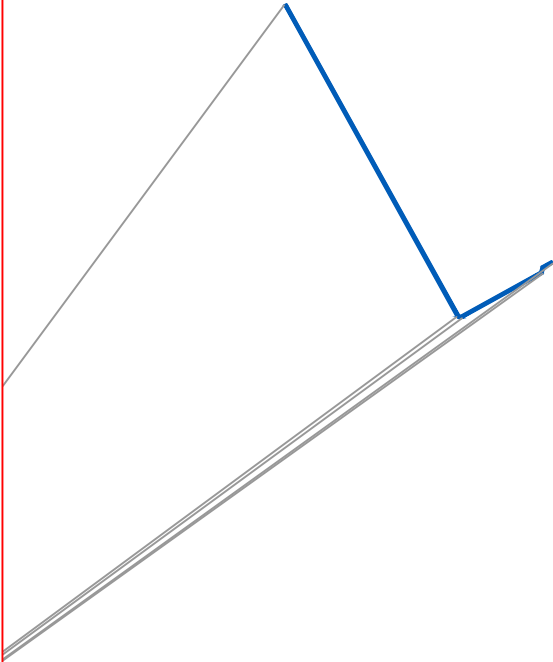
1602 Mizell Road, Tuskegee, AL 36083

Phone: (334) 513-1314 E-mail: PM1@fiblast.com

C253

Height: 1'-7 11/16"

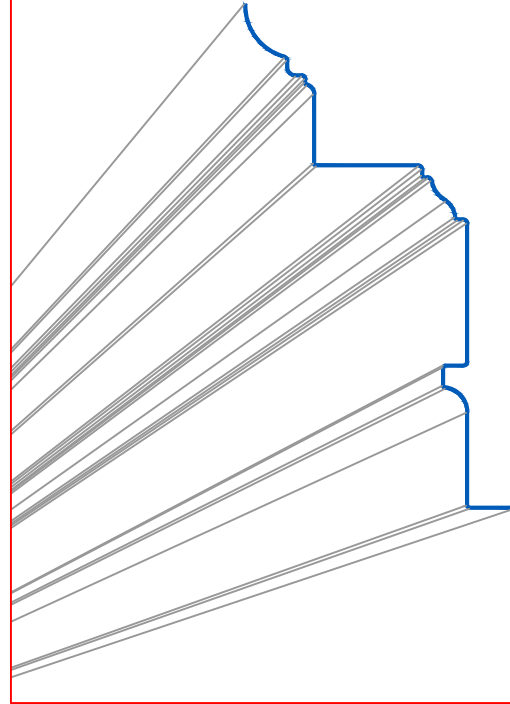
Depth: 1'-4 1/8"



C254

Height: 3'-6"

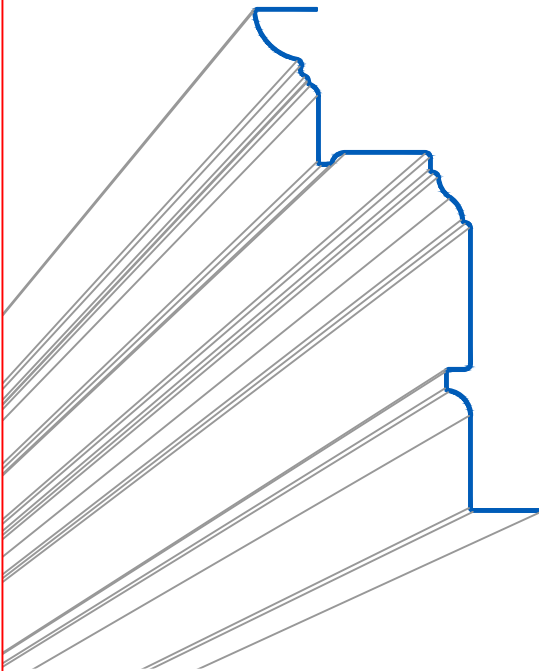
Depth: 1'-10 1/2"



C255

Height: 2'-7 1/2"

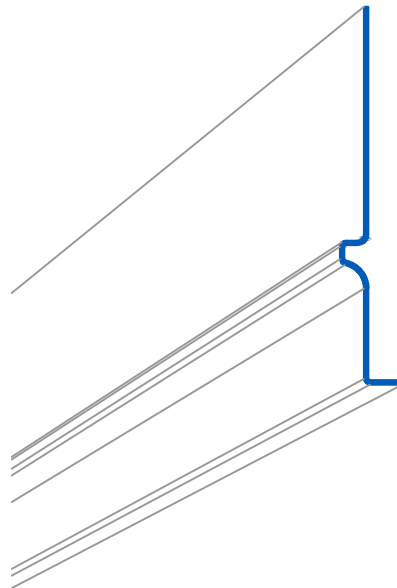
Depth: 1'-6"



C256

Height: 1'-3 3/4"

Depth: 2 5/8"



We have detailed CAD drawings available, Please inquire.

Fiblast, LLC

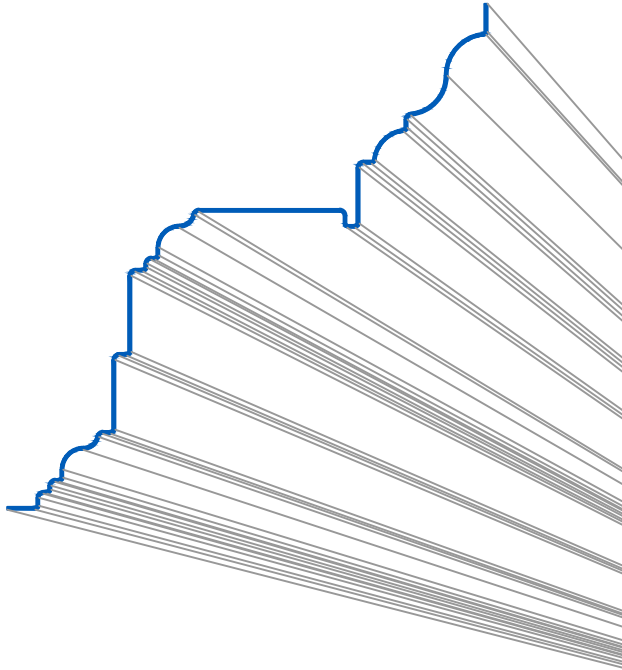
1602 Mizell Road, Tuskegee, AL 36083

Phone: (334) 513-1314 E-mail: PM1@fiblast.com

C257

Height: 2'-7 5/8"

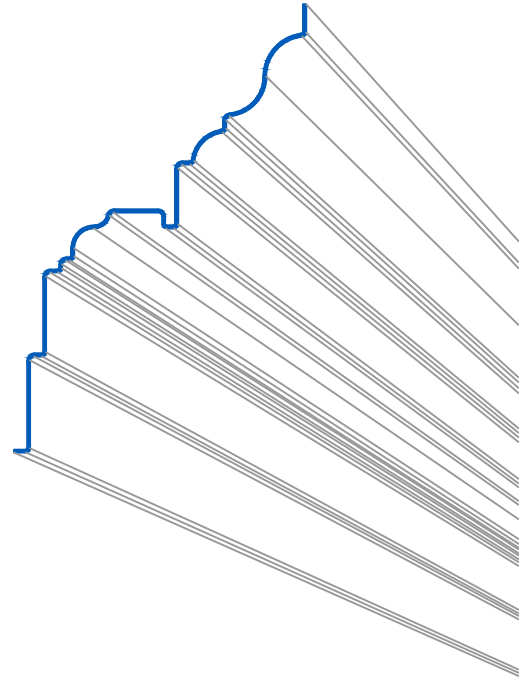
Depth: 2'-6"



C258

Height: 2'-4"

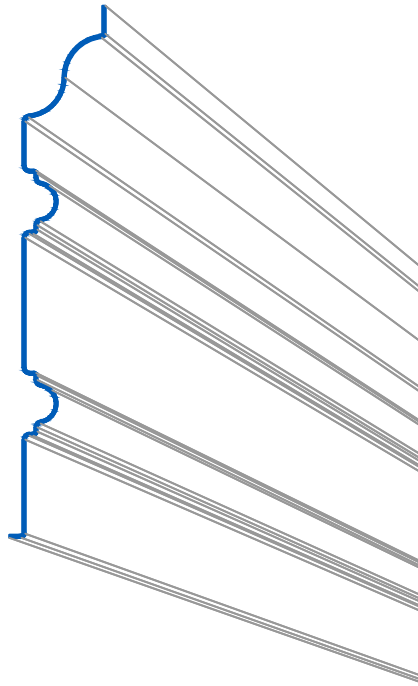
Depth: 1'-6 1/4"



C259

Height: 2'-9 1/4"

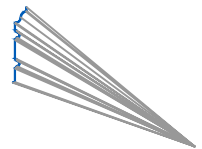
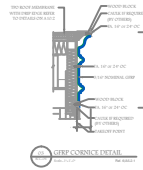
Depth: 0'-6"



C260

Height: 1'-3 3/4"

Depth: 2 5/8"



We have detailed CAD drawings available, Please inquire.

Fiblast, LLC

1602 Mizell Road, Tuskegee, AL 36083

Phone: (334) 513-1314 E-mail: PM1@fiblast.com